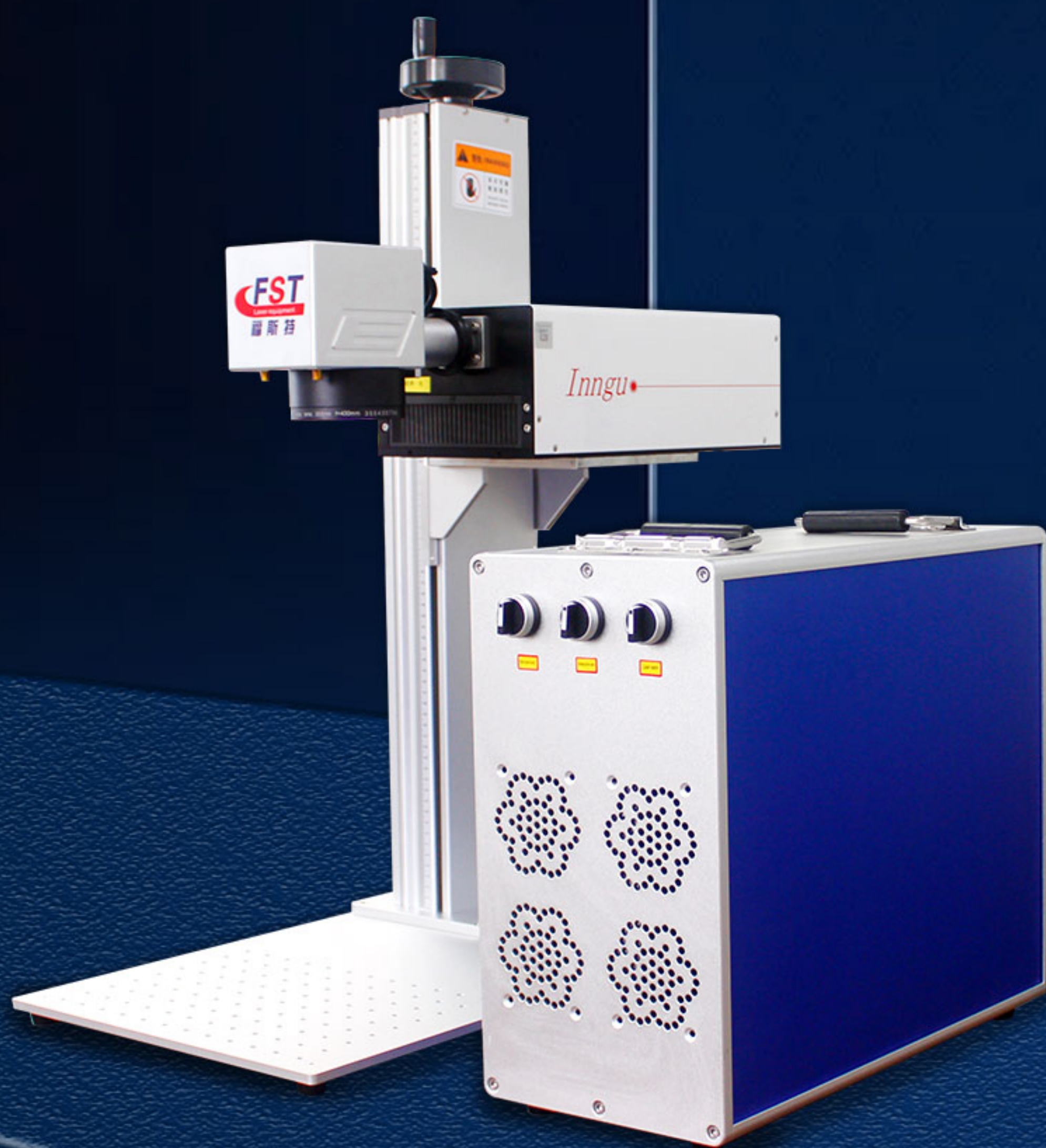


# UV LASER MARKING MACHINE

LIAOCHENG FOSTER LASER SCIENCE & TECHNOLOGY CO., LTD.



Cold light  
source



Superfine  
marking



No tactile  
marking effect



Air  
cooling



# CHARACTERISTIC

## SUPERFINE MARKING

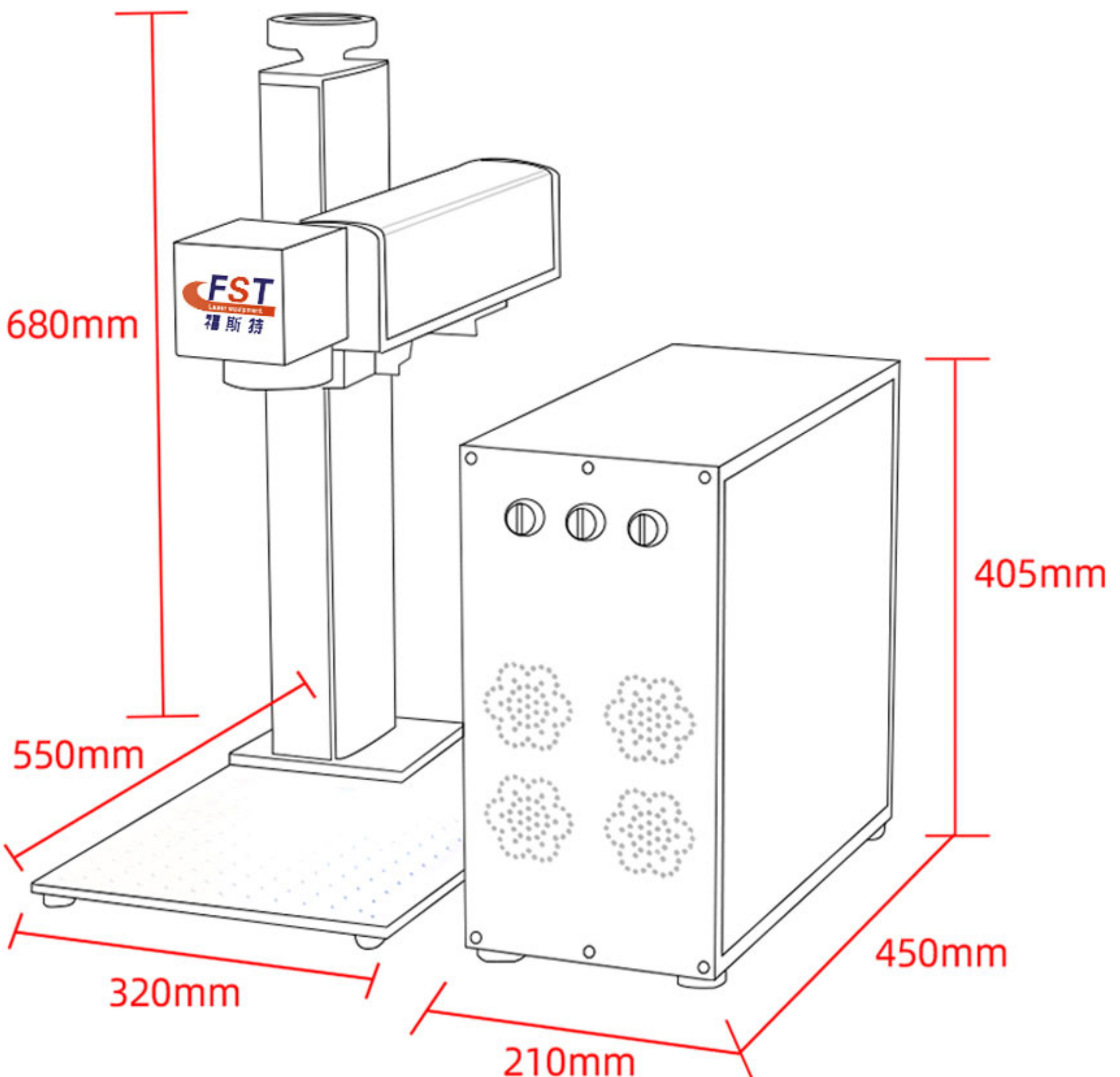
1. The machine takes 355nm light laser device as the light source. Ultraviolet laser marking machines have the advantage of limiting thermal stress that other laser machines do not.
- 2, The heat affected area is very small, will not produce thermal effects, will not produce material scorching problem.
- 3, The good quality and small focus spotlight could achieve the ultra-fine marking with high speed and high efficiency.
- 4, Pre-installed high-precision practical multi-functional work surface, the table has a number of flexible screw holes, convenient installation of special fixture platform.
- 5, The cooling system is air cooling, to ensure that the laser long life, stability, reliable work and other characteristics.
- 6, High efficiency of the photoelectric conversion and long service life.



# PRODUCT INTRODUCTION

## SUPERFINE MARKING

Foster Laser UV laser is cold light source. UV laser with short wavelength, focus, smaller spot, belongs to cold process with a little heat affecting, good beam quality, it can achieve hyperfine marking. Most materials can absorb ultraviolet laser, it is widely applied on industrials; with very little heat affecting area, it won't have heat effect, there is no burning problem, pollution-free, non-toxic, high marking speed, high efficiency, the machine performance is stable, low power consumption.

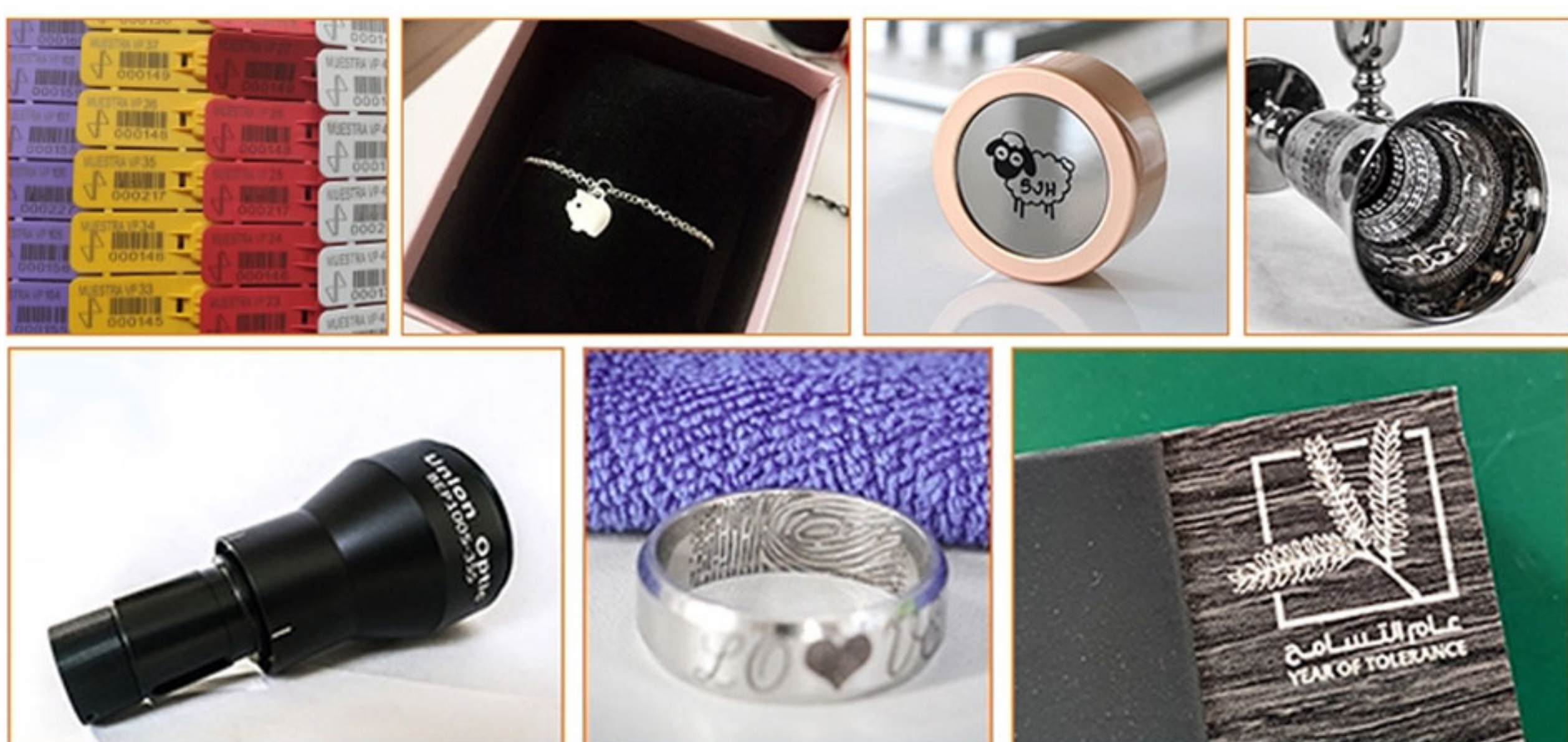




# PRODUCT APPLICATION

## SUPERFINE MARKING

- 1) It is widely used in electronic components, battery chargers, electric wire, computer accessories, mobile phone accessories (mobile phone screen, LCD screen) and communication products.
- 2) Automobile and motorcycle spare parts, auto glass, instrument appliance, optical device, aerospace, military industry products, hardware machinery, tools, measuring tools, cutting tools, sanitary ware.
- 3) Pharmaceutical, food, beverage and cosmetics industry.
- 4) Glass, crystal products, arts and crafts of surface and internal thin film etching, ceramic cutting or engraving, clocks and watches and glasses.
- 5) It can be marked on polymer material, majority of the metal and non-metallic materials for surface processing and coating film processing, pervious to light polymer materials, plastic, fire prevention materials etc..

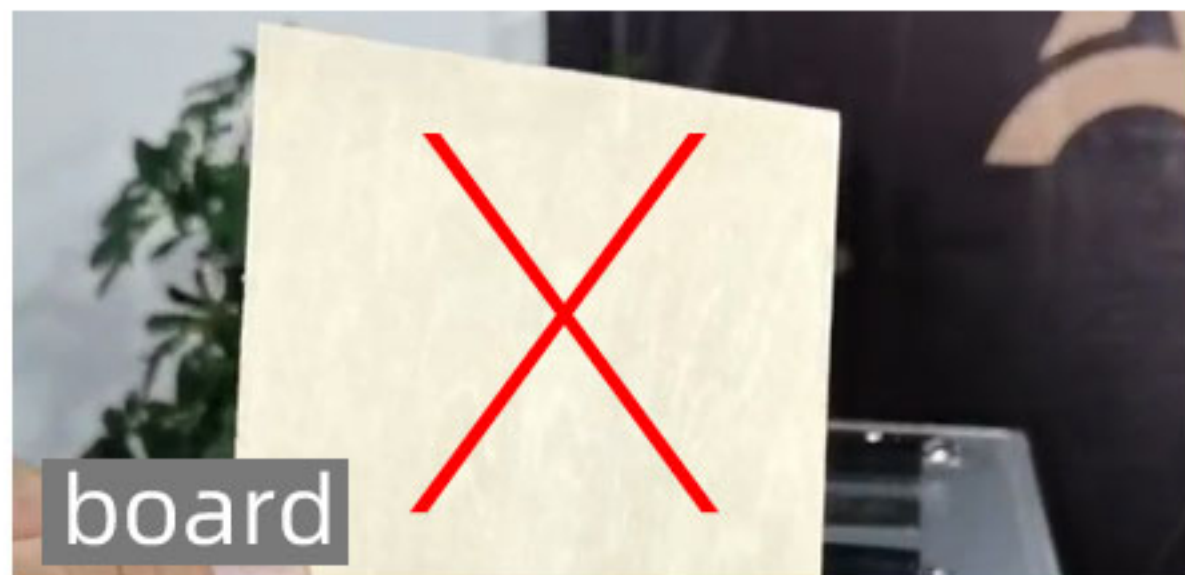




# UV LASER MARKING



# FIBER LASER MARKING





# PARAMETER

## SUPERFINE MARKING

Laser Type	UV Laser Marking Machine
Working area	110*110/150*150/200*200/300*300(mm)
Laser power	3W/5W/8W/10W(Optional)
Laser wavelength	355nm
Application	metal and nonmetal
Marking Speed	7000mm/second
Repeated Precision	±0.003mm
Working voltage	220V / or 110V (+-10%)
Cooling Mode	Air Cooling
Supported graphic formats	AI, BMP, DST, DWG, DXF, DXP, LAS, PLT
Controlling software	EZCAD
Optional parts	Rotary Device, Lift platform, other customized Automation
Warranty	2 year
Package	Plywood



# DETAILS

SUPERFINE MARKING

## 01

### FIELD LENS

We use famous brand to provides precision laser. Standard 110 x 110mm marking area. Optional 150x150mm, 200x200mm, 300x300mm etc. Optional: OPEX etc.

Foster\_

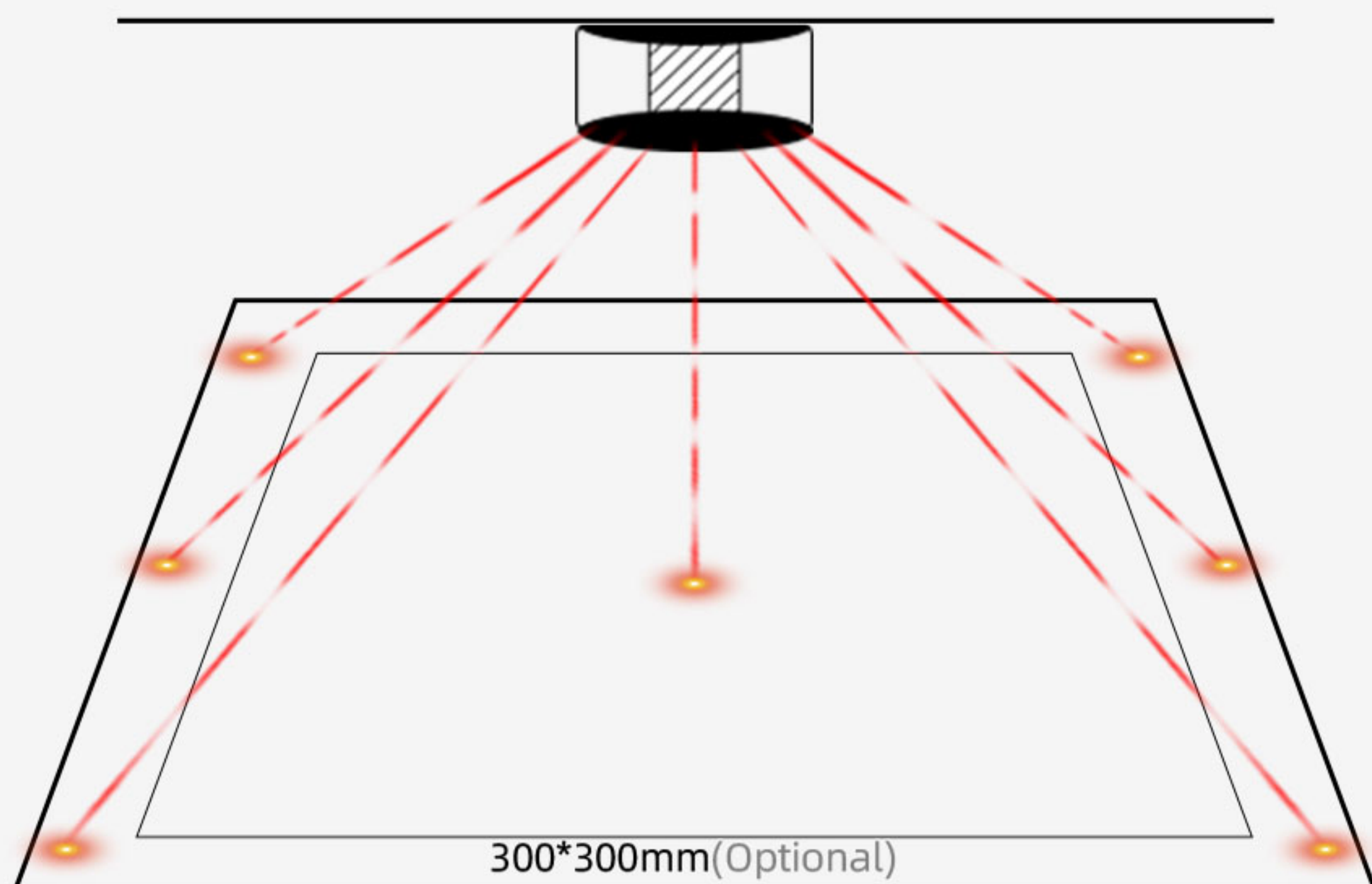


## 02

### GALVO HEAD

Famous brand Sino-galvo, high speed galvanometer scan adopting SCANLAB technology, digital signal, high precision and Speed.

Foster\_



## 03

### LASER SOURCE

We use Chinese best Ultra-violet laser source brand YINGGU. Optional: Raycus/ Max IPG / JPT

Foster\_





# 04

## JCZ CONTROL



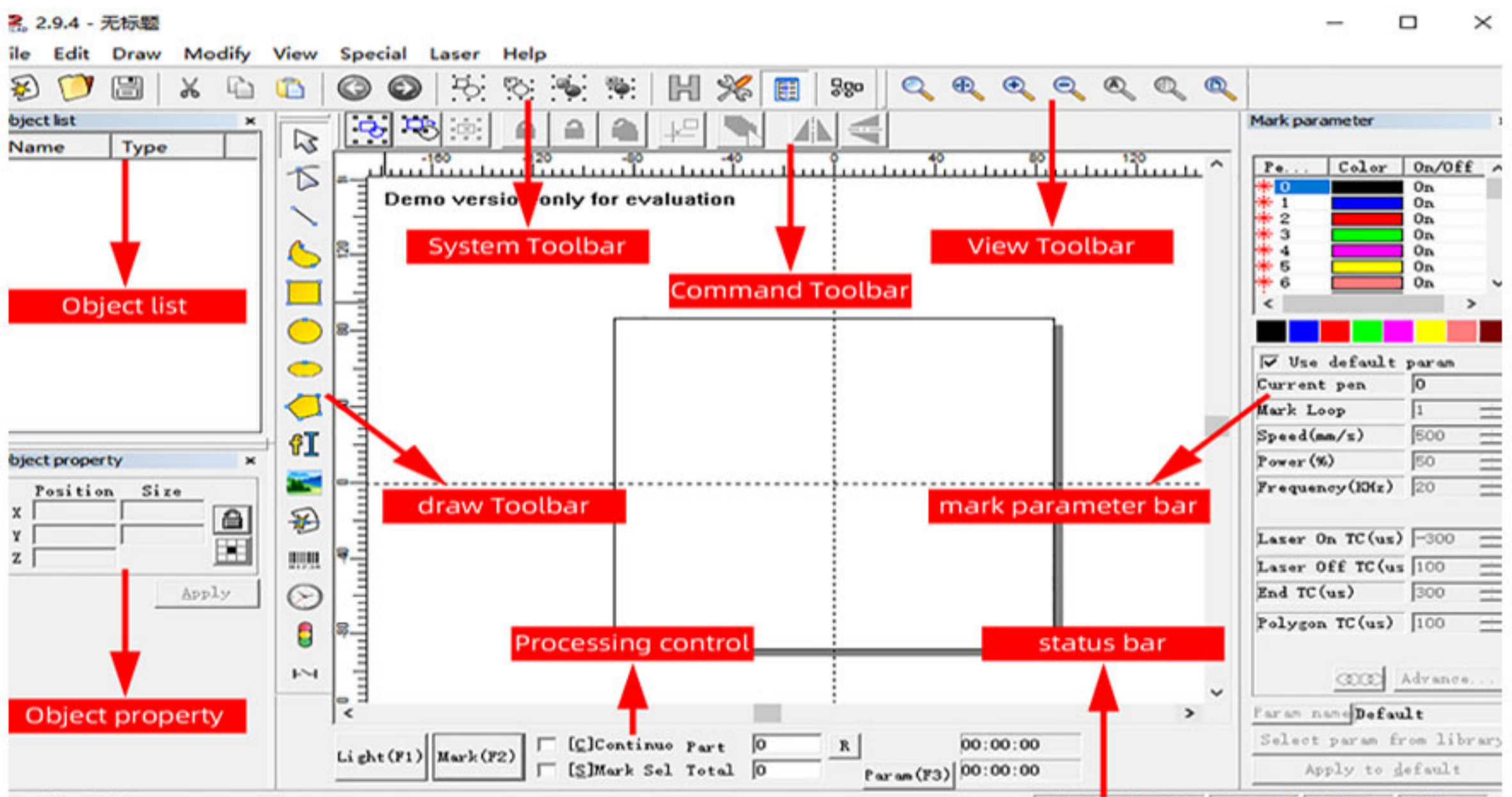
Ezcad genuine products, user-friendly interface, functional diversity, high stability, high precision.

Each board has its own number to ensure that it can be inquired in the original factory. Refuse to fake

Foster\_

# 05

## JCZ THE CONTROL SOFTWARE



1. Powerful editing function.
2. Friendly interface.
3. Easy to use.
4. Support Microsoft Windows XP, VISTA, Win7, Win10 system.
5. Support ai, dxf, dst, plt, bmp, jpg, gif, tga, png, tif and other file formats.
6. Support for TrueType fonts, single line fonts (JSF), SHX fonts, dot matrix fonts (DMF), 1D bar codes and 2D bar codes. Flexible variable text processing, changing text in real time during processing, can directly read and write text files, SQL databases and Excel file.

Welcome to EzCAD3.0 Upgradeable to EzCAD3

# 06

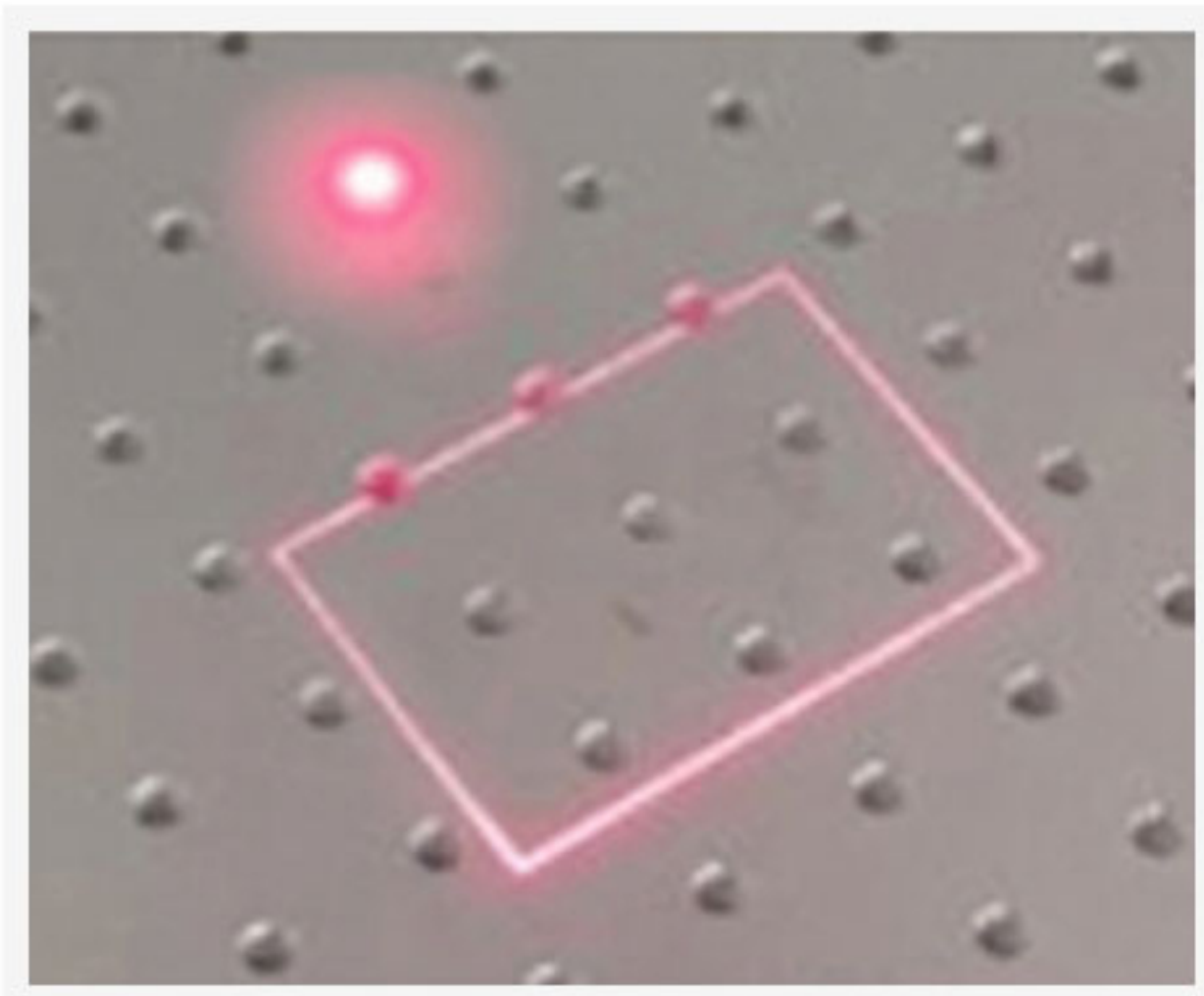
## DOUBLE RED LIGHT POINTER

When two red light coincides best focus. Double red light pointer help customers make focus quickly and easily (OPTIONAL)

Foster\_







# 07

## RED LIGHT PREVIEW

Adopt Red light preview to show the laser path since laser beam is in-visible.

Foster\_

# 08 SCALE RULER

Foster\_

Enables customers to precisely position for fast engraving. Adapting To Different Products Height. (Default: 48CM, optional: 80cm)



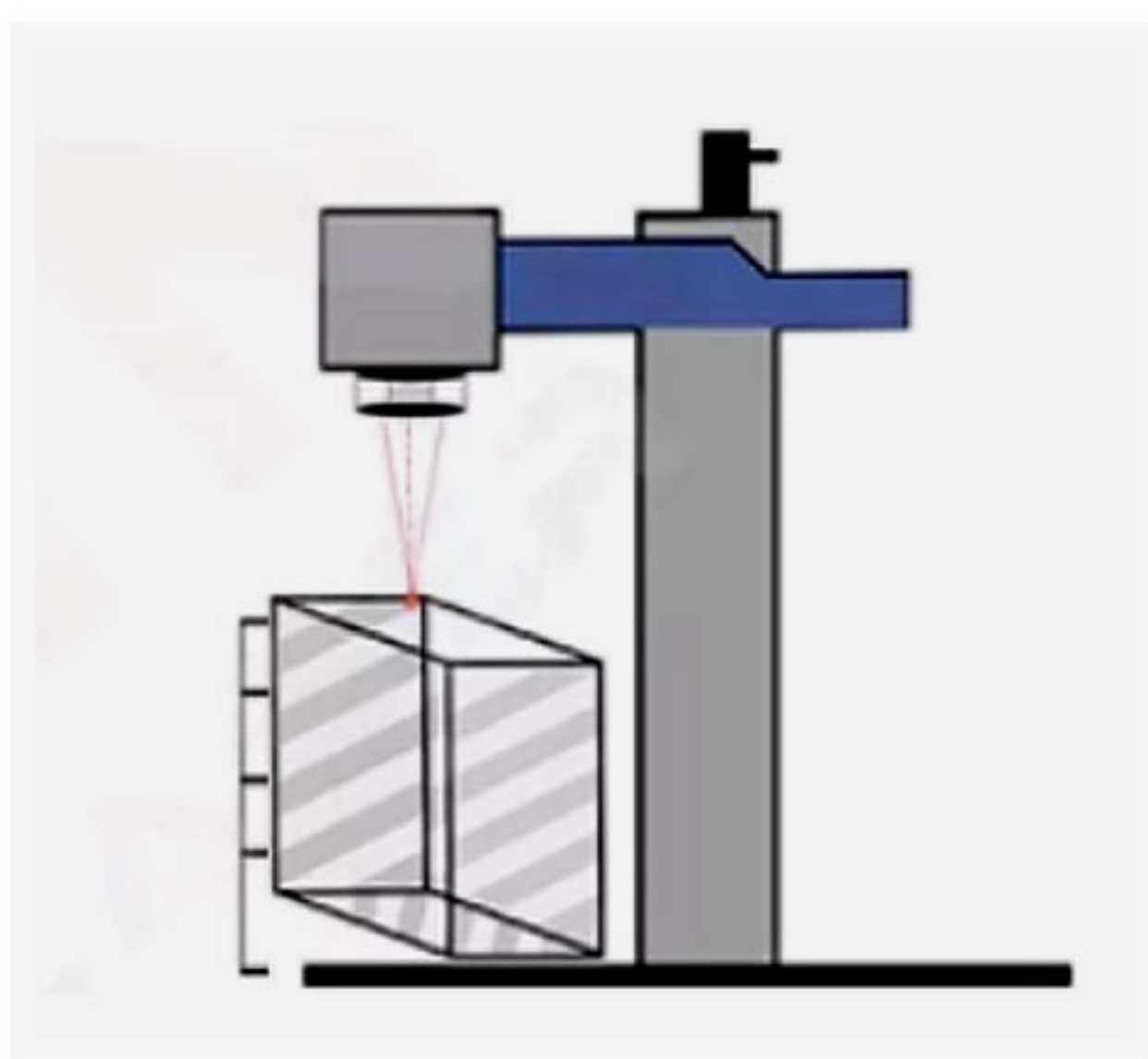
CAN BE UPGRADED TO ELECTRIC LIFTING

# 09

## ADAPTING TO DIFFERENT PRODUCTS HEIGHT

The red light guiding focusing function is optional, the marking height can be adjusted in the range of 0-150mm and the lifting can be adjusted according to the thickness of different products with the high precision lifting screw, making the operation convenient and accurate.

Foster\_



# 10

## AIR COOLING SYSTEM

The Air-cooling system is used to speed up heat dissipation, protect the host, and ensure the machine operates for a long time.

Foster\_



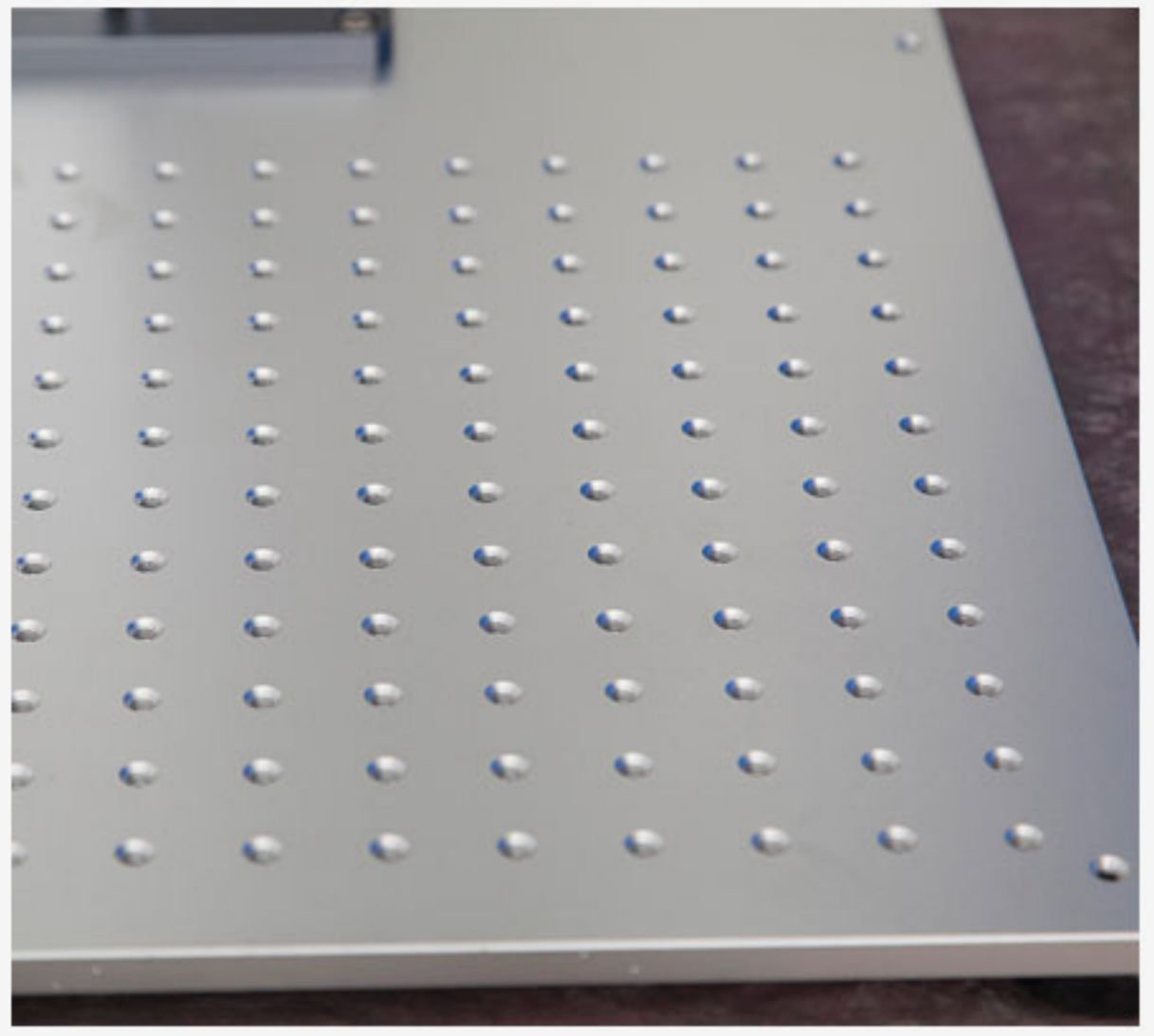
# 11

## WORKING PLATFORM

---

Alumina working platform and imported precise beeline device. Flexibility mesa have multiple screw holes, convenient and custom installation, special fixture industry platform.

Foster\_



# 12

## POWER SUPPLY

---

Brand selection:  
Shanghai Hengfu, Taiwan  
Meanwell

Foster\_



# 13

## GOGGLES

---

Can protect eyes from laser wave 1064nm, let the operate more safe.

Foster\_ (OPTIONAL)



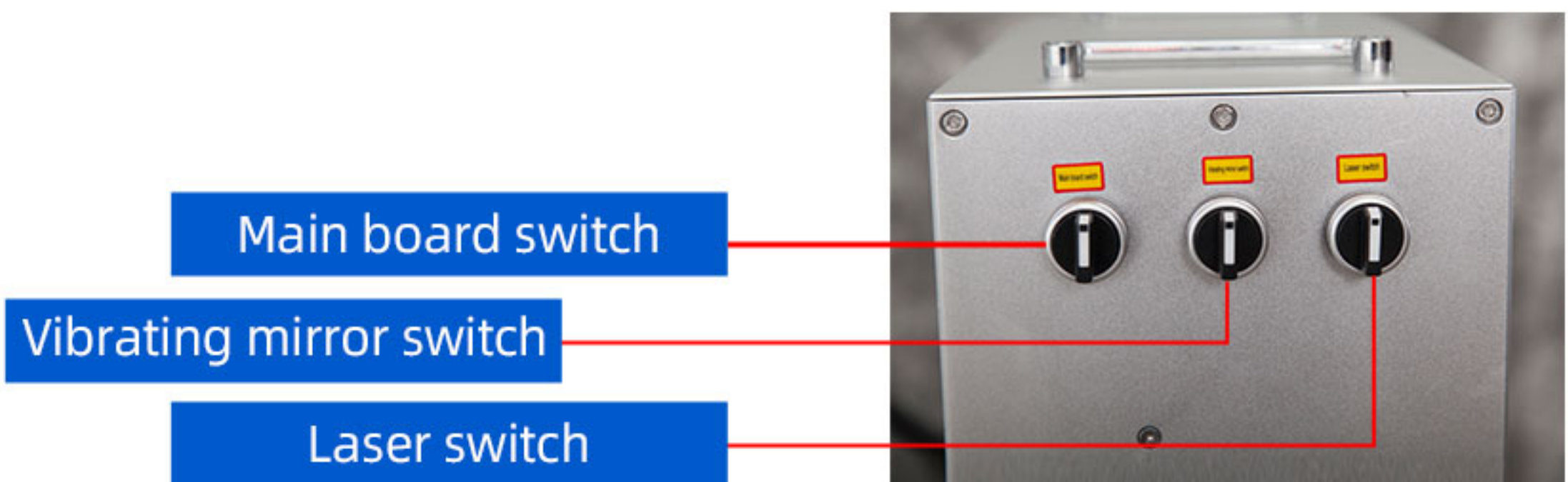
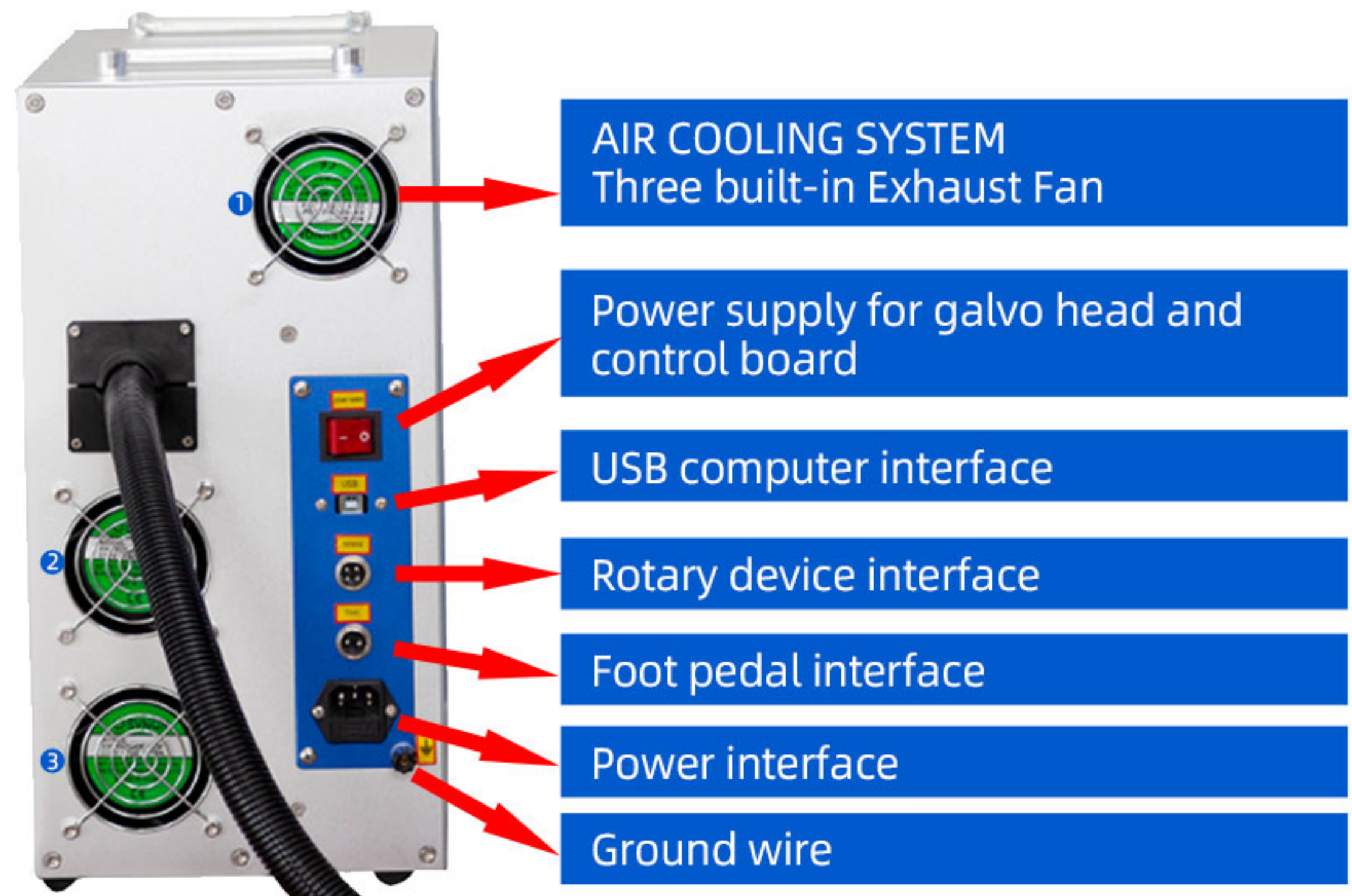


# 14

## FOOT PEDAL

It can control the laser on and off. make the operate more convenient.

Foster\_





# ROTATION AXIS AND PLATFORMS (OPTIONAL)



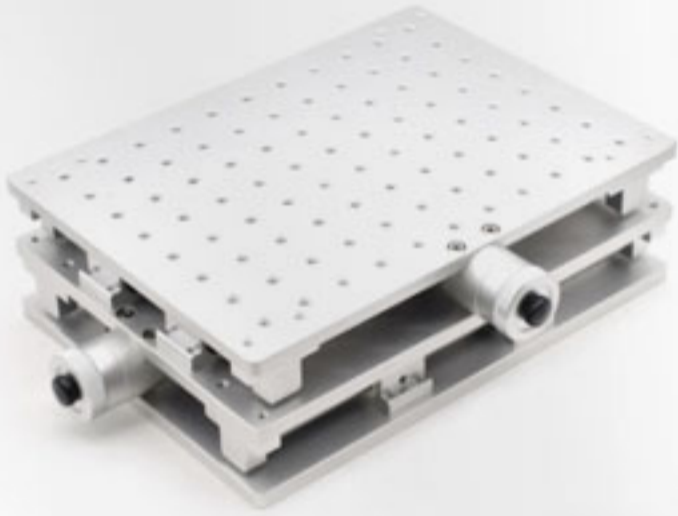
80/100MM ROTARY



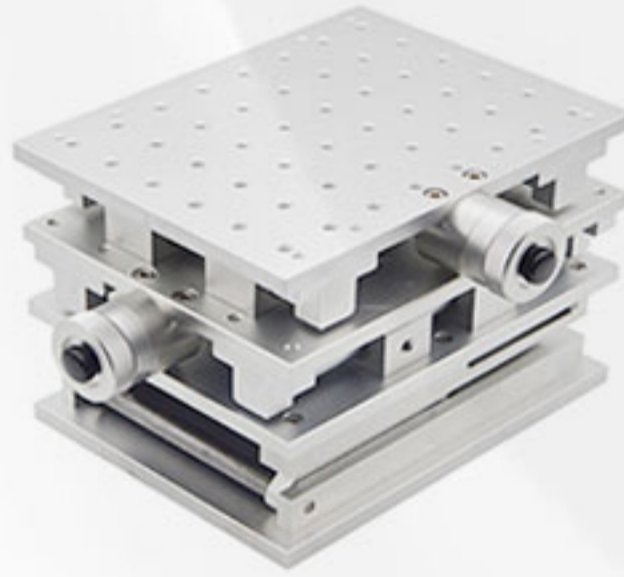
RING ROTARY



125MM ROTARY



2D WORKTABLE



3D WORKTABLE



PEN ROTARY

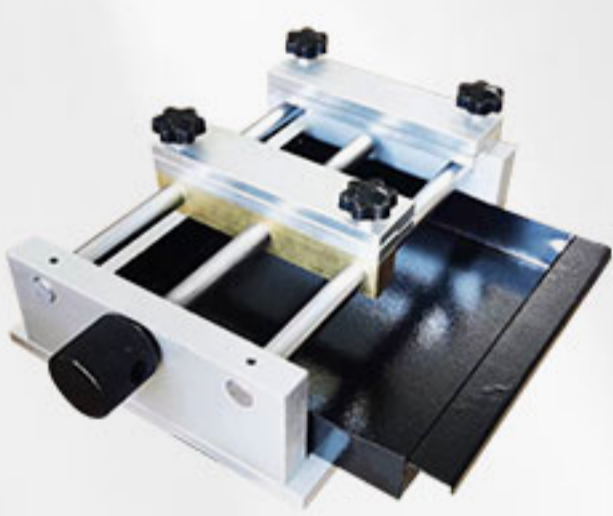


PLATE FIXTURE



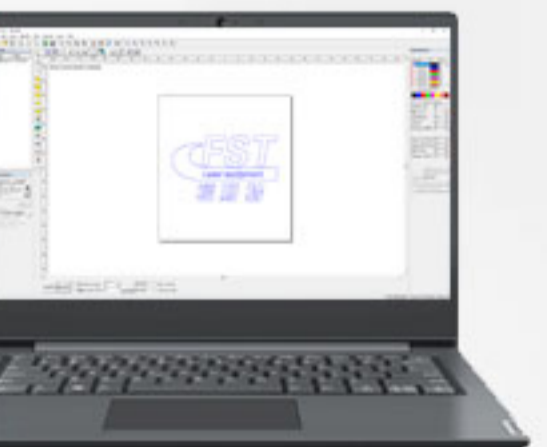
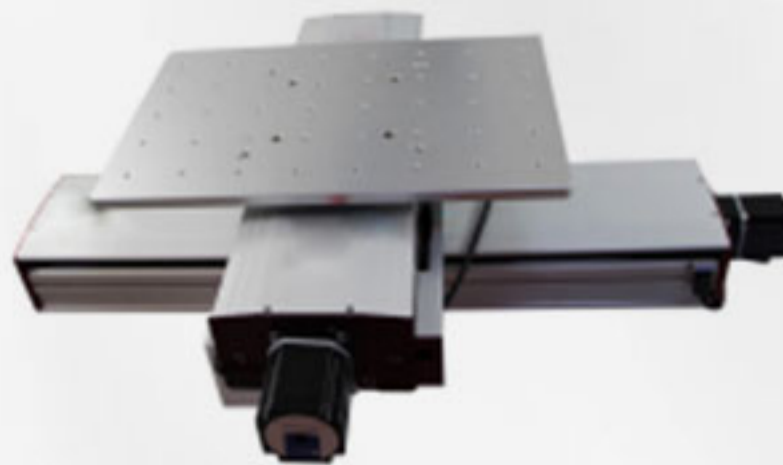
CUP ROTARY



SMOKE PURIFIER



SINGLE / DOUBLE AXIS EXTENDED PLATFORM



COMPUTER



# FAQ

## SUPERFINE MARKING

**Q1: I know nothing about this machine, what kind of machine should I choose?**

You don't have to be a laser Expert, let us be the professional one who guide you to choose the right solution.

The only thing you need to do is to tell us what you want to do, Our professional sales will give you proper recommendations based just on what you need.

**Q2: When I got this machine, but I don't know how to use it. What should I do?**

Well. First of all, our machine is designed for easy use. You will know how to use it when you have it as long as you can use a computer. Besides, we will also provide English users manual and installation and operating video.

If you still have questions, you are welcomed to contact with us anytime for a online free guiding. Our Professional after-sales engineers are always ready to help.

**Q3: If some problems happen to this machine during warranty period, what should I do?**

We will supply free parts if your machine is still on warranty. While we also supply free life long after-sales services too. So any questions, please don't hesitate to let us know, we are always ready to help.

Your satisfaction is always our greatest pursuit.

**Q4: You are warmly welcomed to send us inquiry, in order to recommend the most proper laser solution for you, we are expect to know the following 3 items:**

- 1) Which material you are expect for laser to mark/code?
- 2) What's the specific character that you are going to mark/code?
- 3) Do you have any speed requirements? Or what's your current production line feeding speed, so we could check if we could match it.



# COMMENTS

## SUPERFINE MARKING

Supplier Service: **Acceptable** (3 stars) 03 Aug 2020  
On-time Shipment: **Very satisfied** (5 stars)



china cheap laser engraving machine 4060 laser engr...



Fosterlaser is the best supplier on Alibaba I have met

👍 0

Supplier Service: **Very satisfied** (5 stars) 25 May 2020  
On-time Shipment: **Very satisfied** (5 stars)



20W fiber laser marking machine



Honest and good seller. Sent everything on time (even considering the global epidemic at the time of my order). The machine came well packed. Nothing is damaged, everything works, the kit is complete, exactly what we agreed on. So all is well, I am completely satisfied. Thanks!

👍 0

Supplier Service: **Very satisfied** (5 stars) 03 Aug 2020  
On-time Shipment: **Very satisfied** (5 stars)



3kw cnc fiber laser cutting machine for 12mm iron al...



The machine is perfect and the service is professional, I am very satisfied

👍 0



Supplier Service: **Very satisfied** (5 stars) 12 Jun 2020  
On-time Shipment: **Very satisfied** (5 stars)



50w fiber laser marking machine 50w raycus with rot...



great service and trustworthy! will definitely buy again!!

👍 0

Supplier Service: **Very satisfied** (5 stars) 17 May 2020  
On-time Shipment: **Very satisfied** (5 stars)



30w RF LASER MARKING MACHINE



Fast delivery, I recommend. I look forward to another purchase

👍 0





# ENCLOSURE

## SUPERFINE MARKING



Tool protection



Focal length ruler



Data Line



Power Cord, Ground wire



U disk



Wrench



Foot Switch



USER MANUA



# DELIVER GOODS

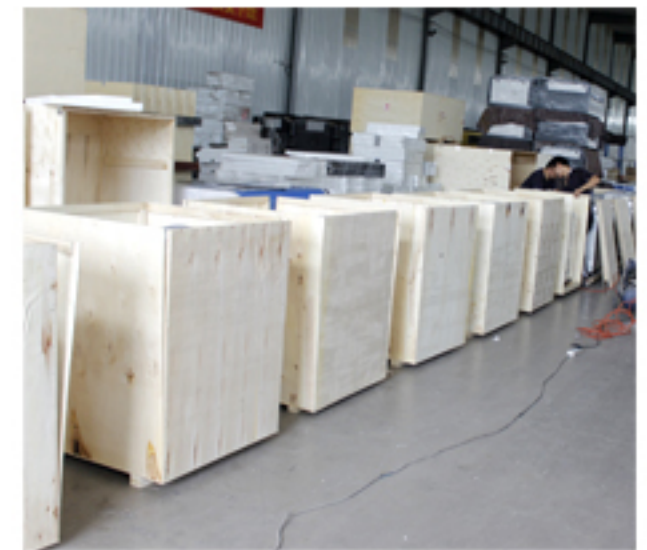
SUPERFINE MARKING



Machine cleaning and  
Protective oil processing



Wrapping with  
protective film



Wooden box sealing



Container Sealing  
and Transportation



container loading



Forklift moving goods



FOSTER LASER