

# FST-1060 / 1040 CO2 LASER CUTTING MACHINE



## THREE LINES LINEAR GUIDE

High accuracy, High speed



## PASS THROUGH DOOR

Front and back feed

## FAMOUS LASER TUBE

EFR, RECI, CDWG, YONGLI, JOY (optional)



## RUIDA CONTROLLER SYSTEM

Offline use, Easy to operate

## TWO-PART SPLIT MACHINE

Save space, save freight, through the narrow door

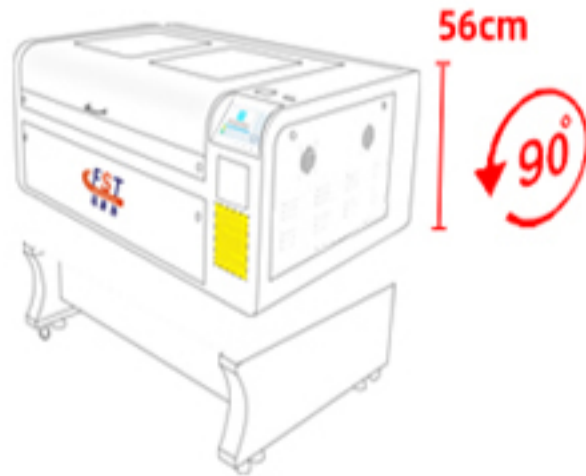


## HIGH COST PERFORMANCE

The same price, the best performance and quality

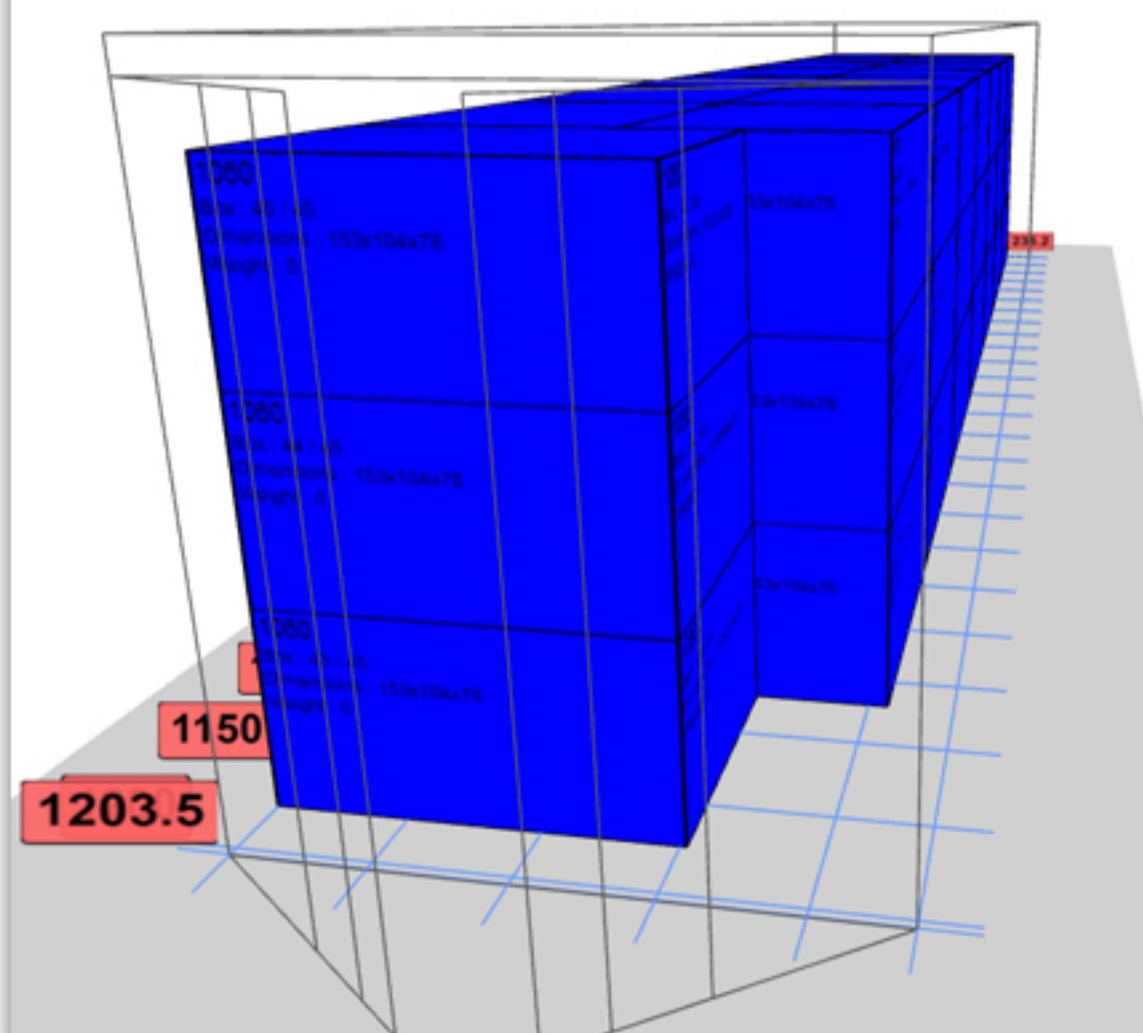
## CONTROL SOFTWARE

RdworksV8, LightBurn / AutoCAD / CorelDRAW



### Very convenient through the narrow door

My door is too narrow(only 80CM wide), how to move the laser cutter into my house? You can try this model laser cutter!



### Greatly reduce transportation costs

For container - 40' HC, if use two part modle, max 45 sets 1060 60W machine can be put in one container, 15 sets more than ordinary models.

# PRODUCT DETAILS

LIAOCHENG FOSTER LASER SCIENCE & TECHNOLOGY CO., LTD.

Model	FST-1060 / 1040
Worktable	honeycomb or Aluminum knife
Engraving area	1000*600mm
Laser Power	50W/60W/80W/100W/130W/150W
Engraving Speed	500mm/s Max
Cutting Speed	60mm/s
Cutting Depth (Acrylic)	0-20mm (acrylic)
Up and down work table	Up and down adjustable
Minimum Shaping Character	English 1×1mm (Chinese Characters 2*2mm)
Resolution Ratio	0.0254mm (1000dpi)
Power Supply	220V(or110V)+/-10% 50Hz
Resetting Positioning	Accuracy less than or equal to 0.01mm
Water protecting sensor and alarm	Yes
Operating Temperature	0-45°C
Operating Humidity	35-70°C
Graphic Format Supported	PLT/DXF/BMP/JPG/GIF/PGN/TIF
Operation System	Windows XP/Windows 7/8/10
Software	Rdworks/ CorelDRAW/ AutoCAD
Control Configuration	Ruida
Water Cooling(Yes/No)	Yes
Laser Tube	Sealed CO2 glass lasertube



**DESKTOP** STYLE



WITH LEGS FOR EASY  
OPERATE (OPTIONAL)

# FEATURE

LIAOCHENG FOSTER LASER SCIENCE & TECHNOLOGY CO., LTD.

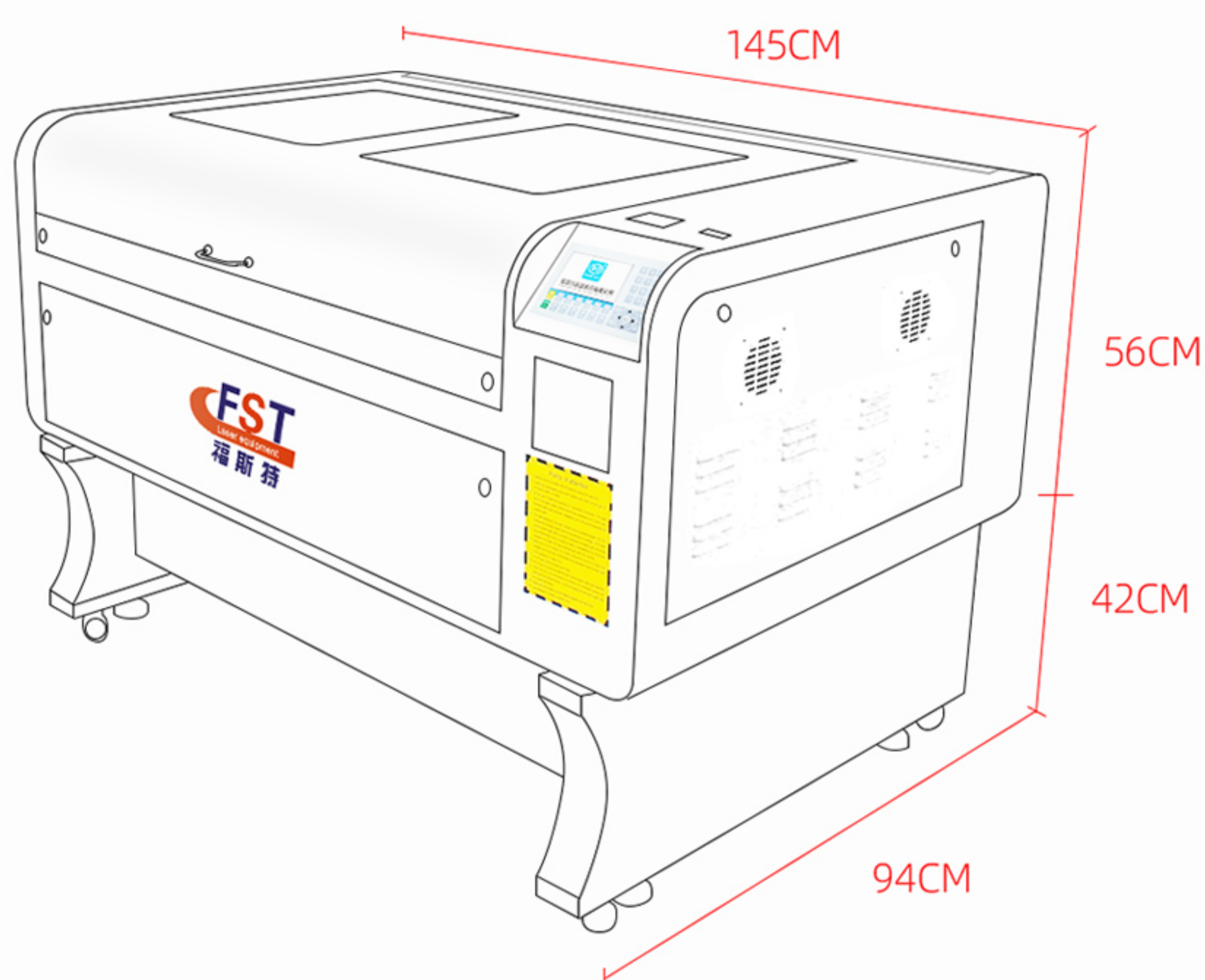
Foster laser CO2 Laser Engraving Machine with different working area, laser power or working table, which application is engraving and cutting on acrylic, wood, fabric, cloth, leather, rubber plate, PVC, paper and other kinds of non metal materials. 1060 laser cutting machine are widely used in clothing, shoes, luggage, computer embroidery clipping, model, electronic appliances, toys, furniture, advertising decoration, packaging and printing, paper products, handicrafts. Household appliances, laser processing and other industries.



- ① Aluminum knife or honeycomb table. Two kinds of tables are available for different material.
- ② CO2 Glass sealed laser tube China famous brand (EFR, Reci), good beam mode stability, long service time.
- ③ Imported lens and mirrors. High transmittance, good focusing, reflection effect.
- ④ Ruida Controller system, support online/offline working, English language system, adjustable cutting speed and power.
- ⑤ High accuracy stepper motors and drivers. Belt transmission.
- ⑥ Tiwan Hiwin Linear square guide rails, higher precision.
- ⑦ Open style, the front and back of the machine is open which is possible for longer material, breakthrough the limit of the workpiece length.
- ⑧ Rotate cutting available.

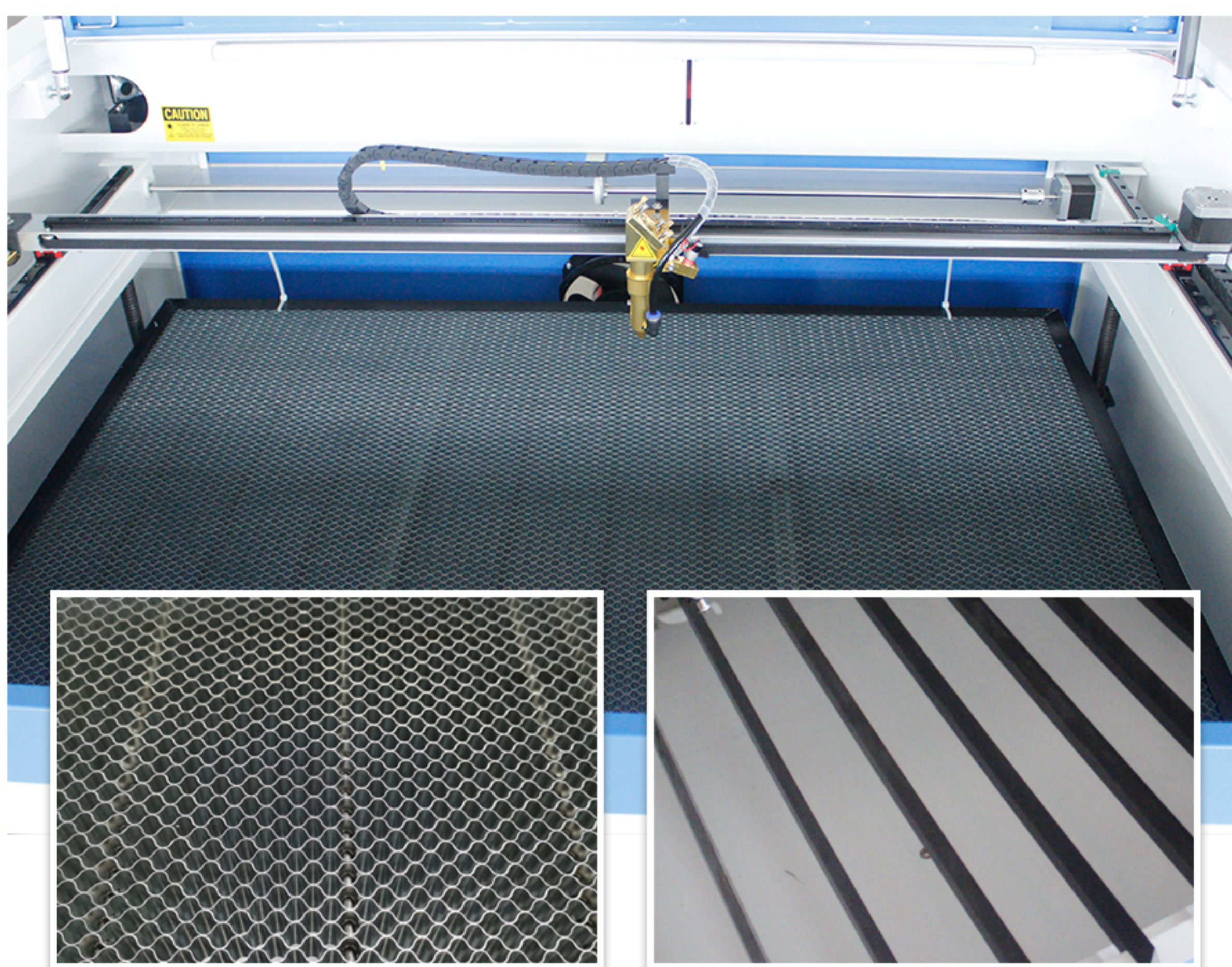
# DETAIL DISPLAY

LIAOCHENG FOSTER LASER SCIENCE & TECHNOLOGY CO., LTD.



## WORK AREA

1000x600mm work area



Honeycomb worktable\*

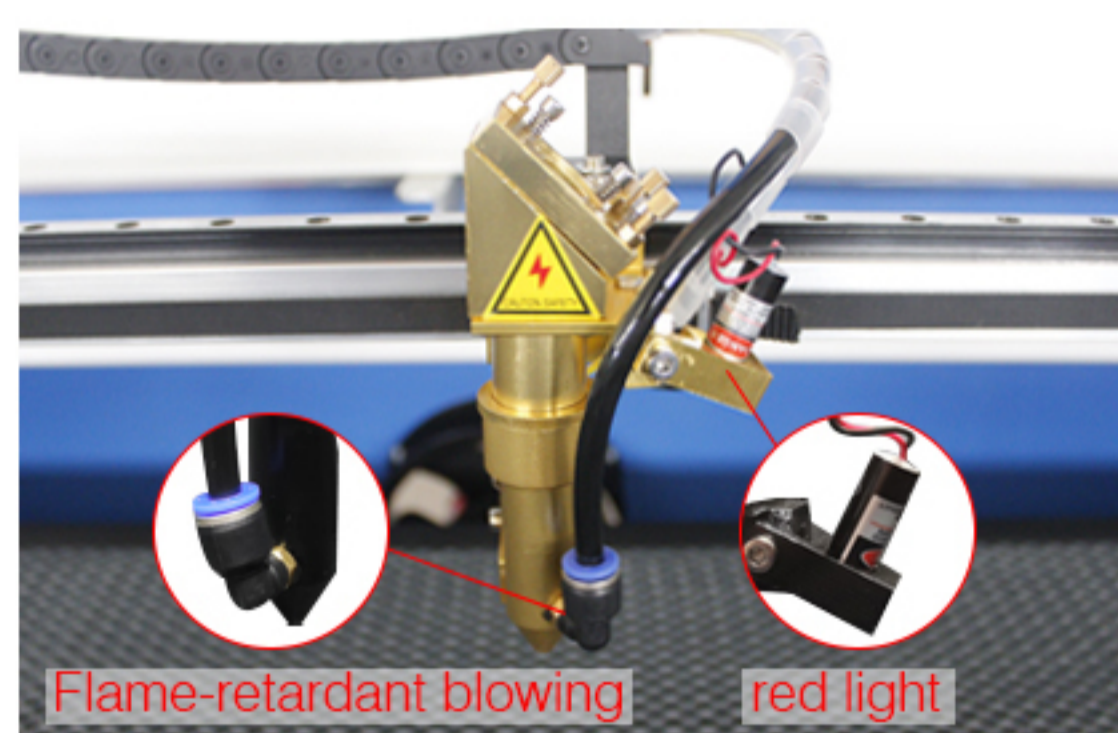
Aluminum knife\*

\*You can choose one or two. It depends on the needs of the customer.

## INDUSTRIAL LASER HEAD

High precision retractable laser head, easy to adjust focal length, equipped with red light positioning system, accurate positioning, reduce material loss.

Auto-blowing to protect laser head and prevent the laser burning.



## LASER TUBE

Closed Co2 laser tube, long life, stable power. Installation of reinforcement settings, the laser tube is not easy to collide and cause damage when moving the machine.

(EFR, RECI, CDWG, YONGLI, JOY. Optional)



## USA II-VI LENS

Imported USA II-VI Lens, suitable for various environments, and has high precision and high speed.



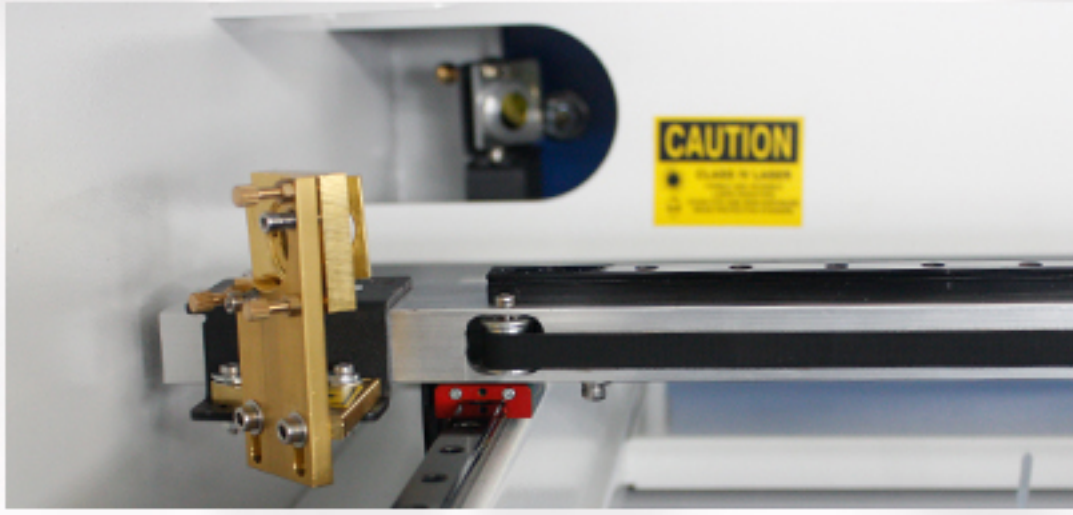
## FAMOUS BRAND BELT

The ONK brand belt, wear resistance, good stability, compact structure and low noise.



## LEADING CHAIN

The current lead and breather pipe are included in it.  
Thicker, more stable  
Keep the laser head from shaking



## REFLECTOR

45° mirror adjustment set.  
Easy to adjust laser path.

## CONTROL PANEL

**Free upgrade to  
RD-6445**



1. Adopt advanced laser engraving and cutting control system: Ruida RDC6442 control system, the control panel support different language include Chinese, English, French, Pyccko, Portuguese, Turkish, German, Spanish, Vietnamese, Korean, Italian.

2. Standard RDWorksV8 software: It support 15 different languages, include: Chinese, English, Japanese, French, German, Portuguese, Polish, Spanish, Russian, Korean, Vietnamese, Indonesian, Italian, Turkish, Arabic.

It can compatible with many other software, like Coreldraw, Photoshop, AutoCAD, TAJIMA, etc.

You can use these software to make designs, then import to Rdworks to cut or engrave.

3. RDworks software support files in different format: AI, DXF, PLT, DST, BMP, DSB, EPS, DAT, NC, RDB, GIF, JPG, JPEG, JPE, JFIF, PNG, MNG, ICO, CUR, TIF, TIFF, TGA, PCX, WBMP, WMF, EMF, JBG, J2C, JPC, PGX, RAS, PNM, PGM, PPM, SKA, RAW,

4. Storage: The main board has EMS Memory which enables the user to store more than 100 files.

5. Laser output control: Can regulate the laser power from 1-100% according to different material.

6. Interface: USB2.0 interface support connect to computer by USB cable, it also support offline work.



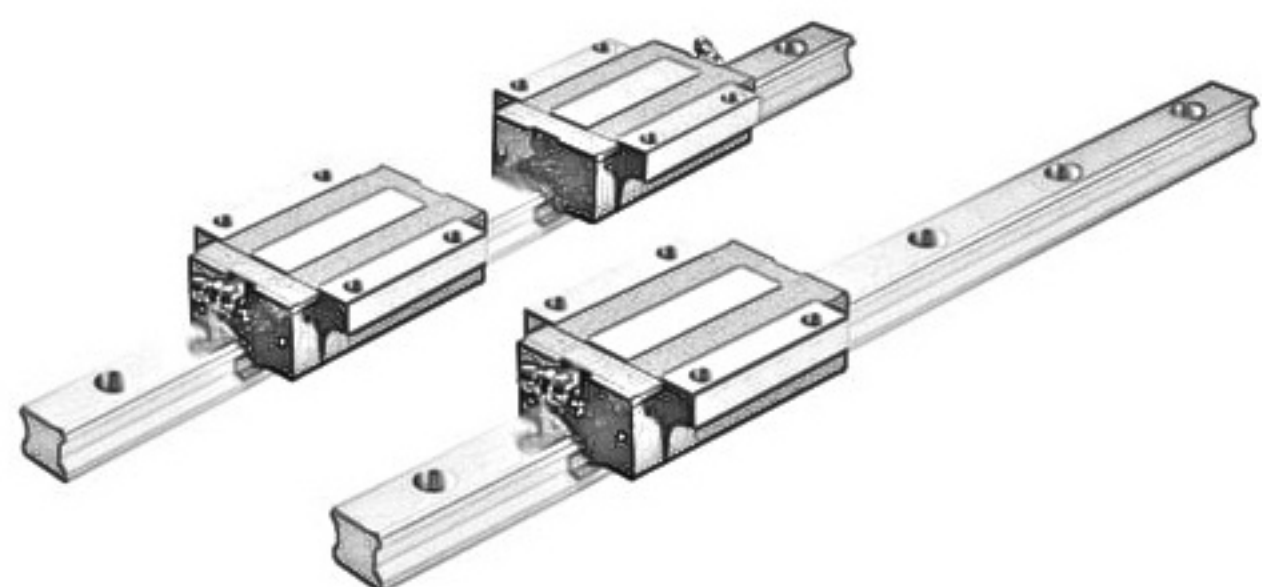
Wifi Control(optional)



Mobile App(optional)



Handle(optional)



## LINEAR GUIDE

XY axis apply imported square rails. Ensures stable operation, high precision and long life.

## PLATFORM LIFTING

It allows you to process materials of various sizes, can be lifted in Z direction (up-and-down) to get more working space.



## AMPEREMETER

The ammeter can detect whether the laser tube current is normal. (Optional)

## THERMOMETER

Real-time display of the temperature of the laser tube, prolonging the service life of the laser tube



Coreldraw



CAD



LightBurn

## SUPPORTED SOFTWARE

CorelDRAW, AutoCAD, LightBurn supported

## BUILT-IN EXHAUST FAN

Built-in Exhaust Fan, Easier install, Safer transport



Socket

Machine power

Circuit Breaker

Grounding connection

## SECURITY PROTECTION

Ensure the safe operation of the machine and the safe use of electricity.

# Our certificate

Foster Laser Technology Co., Ltd.



# PRODUCT ACCESSORIES

LIAOCHENG FOSTER LASER SCIENCE & TECHNOLOGY CO., LTD.



Air Pump



Chimney



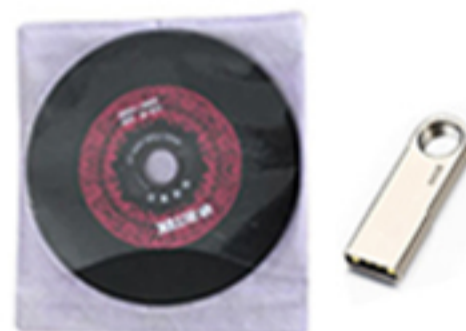
Water pump



Tool protection



Data Line



CD or U disk



Focal length ruler



Tool box



Power Cord



Cardan wheel



Instruction Manual

## Optional accessories



Simple rotary axis



Standard rotary axis



Roller rotary axis



Exhaust Fan



CCD Camera



S&A Water chiller  
CW-3000 / CW-5000



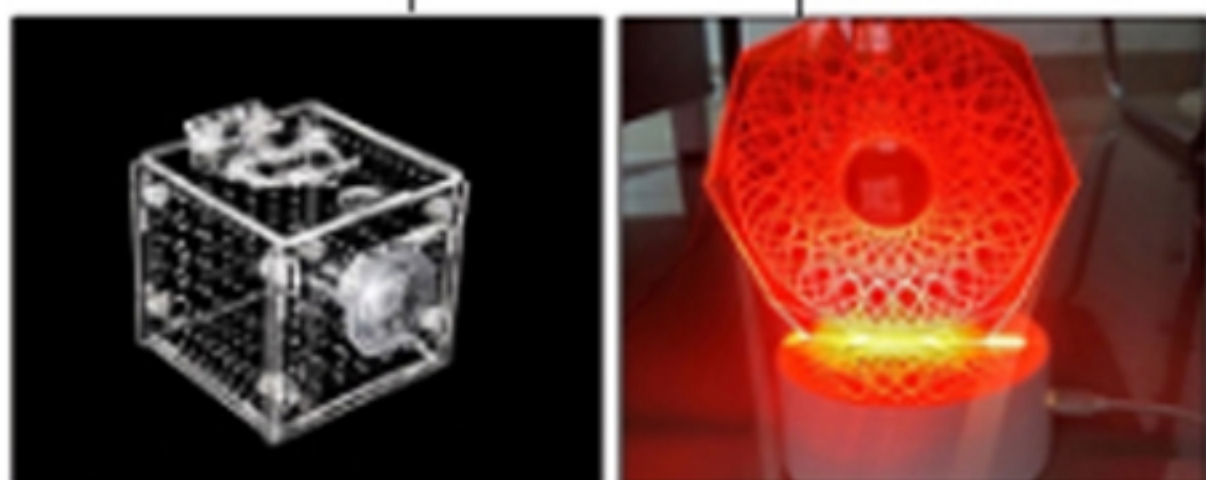
# PRODUCT APPLICATION

LIAOCHENG FOSTER LASER SCIENCE & TECHNOLOGY CO., LTD.

## applicable materials:

Acrylic, leather, wood, rubber, double-color board, MDF, plywood, bamboo, paper, cardboard, marble, granite, stone, glass, fabric, textile, coated metal, painted metal, anodised aluminum etc.

ACRYLIC



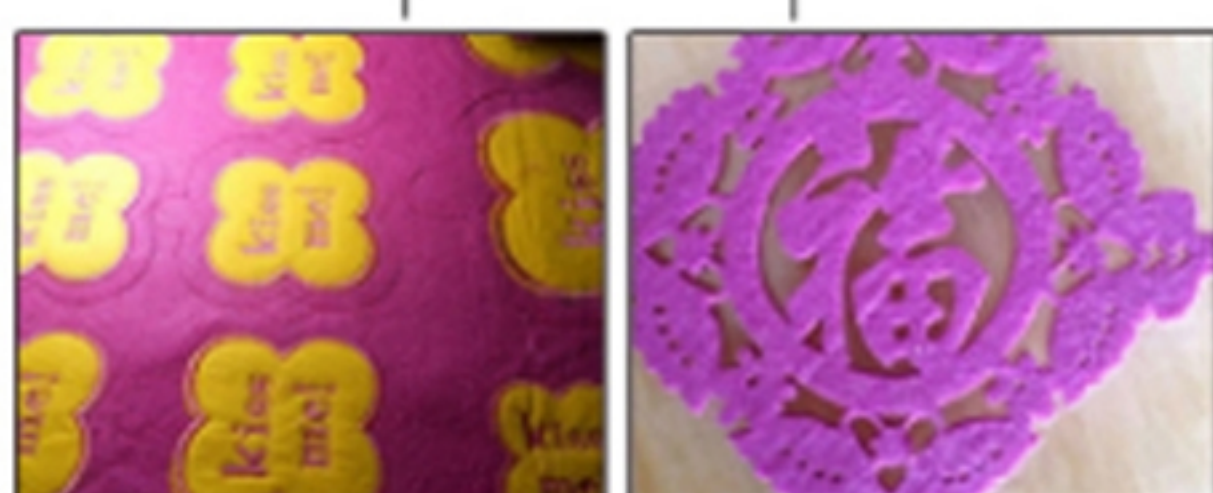
GLASS



CERAMICS



FELT



IRREGULAR SHAPE



FOAM



STONE



LEATHER



PAPER



PLASTIC



SILICONE



TWO COLOR PLATES



WOOD



WOODCUT



## applicable industries:

Arts and crafts, advertising, decoration, wood working, leather manufacturing, packaging, printing, mould making, furniture, clothing and brand making etc.



### Applicable material for reference

Material	Engrave	Cut	Material	Engrave	Cut
Natural wood	√	√	Paper	√	√
Acrylic	√	√	Mylar	√	√
Glass	√	×	Press board	√	√
Double color plate	√	√	Rubber	√	√
Bamboo	√	√	Plywood	√	√
MDF	√	√	Fiberglass	√	√
Cloth	√	√	Painted metal	√	√
Leather	√	√	Plastic	√	√
Marble	√	×	Ceramic	√	×
Matte boards	√	√	Coated Metal	√	×
Stone	√	×	Other materials	Inquire us, we will test for you	

### Cutting thickness of different laser power for reference

Laser power (W)	Acrylic(mm)	Plywood(mm)	MDF(mm)
40W	3	2	1.5
60W	8	5	3
80W	12	8	6
100W	15	12	9
150W	25	20	15

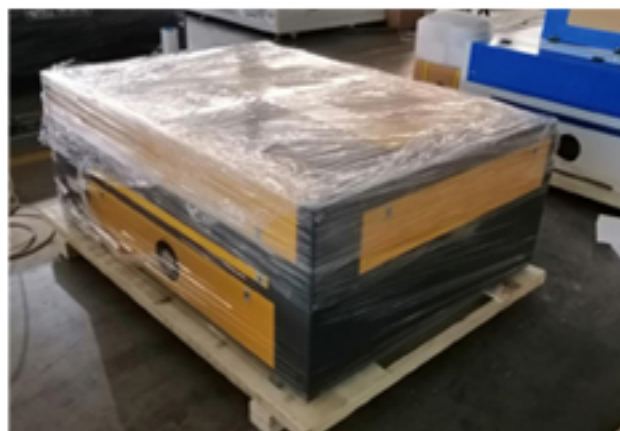
\* The above data is for reference only

# PACKAGING DELIVERY

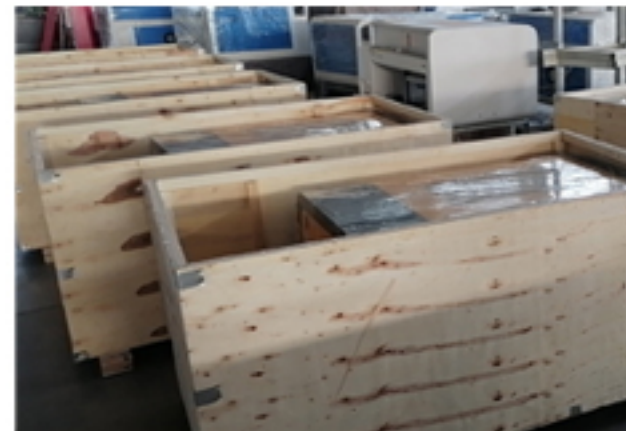
LIAOCHENG FOSTER LASER SCIENCE & TECHNOLOGY CO., LTD.



Machine cleaning and  
Protective oil processing



Wrapping with  
protective film



Wooden box sealing



Container Sealing  
and Transportation



container loading



Forklift moving goods





 Trade Assurance

## Protect Your Alibaba.com Orders

Trade Assurance protects online orders when payment is made through Alibaba.com.

 Product Quality

 On Time Shipment

