

SPLIT FIBER LASER MARKING MACHINE



- EZCAD 3
- LED LIGHT
- ELECTRIC LIFT
- DEEP/RELIEF MARKING

• ADVANTAGES •

> Electric lift, EZCAD 3

With electric lifting and EZCAD3 kit, we can low-cost deep marking and 3D layered engraving. Get 3D or relief effect.

> No Consumables, Long lifespan Maintenance Free

The Fiber laser source has super long lifespan of over 100,000 hours without any maintenance. No need to spare any extra consumer parts at all. Suppose you will work for 8 hours per day, 5 days a week, A fiber laser could work properly for you for more than 8-10 years without extra costs except electricity.

> Multi-functional

It could Mark/Code/Engrave un-removable serials Numbers, batch Numbers, Expiry info, Best Before date, logo & any Characters that you want. It could also mark QR code.

> Simple Operation, Easy to use

Our patent software supports almost all common formats, The operator does not have to understand programming, Just simply set a few parameters and click start.

> High Speed Laser Marking

The laser marking speed is very fast, 3-5 times than the traditional marking machine.

> Optional rotary axis for different cylindrical

Optional rotary axis can be used to mark on different cylindrical, spherical objects. The stepper motor is used for digital control, and the speed can be automatically controlled by computer, which is more convenient, simple, safe and stable.

PARAMETER

Laser Type	Fiber Laser Marking Machine
Working area	110*110/150*150/200*200/300*300(mm)
Laser power	10W/20W/30W/50W
Laser wavelength	1064nm
Beam quality	$m^2 < 1.5$
Application	metal and partial nonmetal
Marking Speed	7000mm/second
Repeated Precision	$\pm 0.003\text{mm}$
Working voltage	220V / or 110V (+-10%)
Cooling Mode	Air Cooling
Supported graphic formats	AI, BMP, DST, DWG, DXF, DXP, LAS, PLT
Controlling software	EZCAD
Working temperature	15°C-45°C
Optional parts	Rotary Device, Lift platform, other customized Automation
Warranty	2 year
Package	Plywood

APPLICATION

Fiber laser marking machine can work with most metal marking applications, such as Gold, Silver, Stainless Steel, Brass, Aluminium, Steel, Iron etc. and can also mark on many non-metal materials, such as ABS, Nylon, PES, PVC, Makrolon.



U disks



Gear



Nameplate



Phone shell



Surgical Instruments



Bearings



Ruler



Metal cup



Tool



Pen



Nameplate



Lighter



Coating Aluminum



Rotary marking



Color marking



Gold/Silver Ring



SD card



Lamp head



Meters



Nail polish



Button



Power Bank



Bank card



Animal Ear Tags



Capacitors



Cosmetic Boxes



Ceramic



Glasses



Metal, deep / relief



Laser source



Electric lift



FIELD LENS
GALVO HEAD



Ruler



Working platform

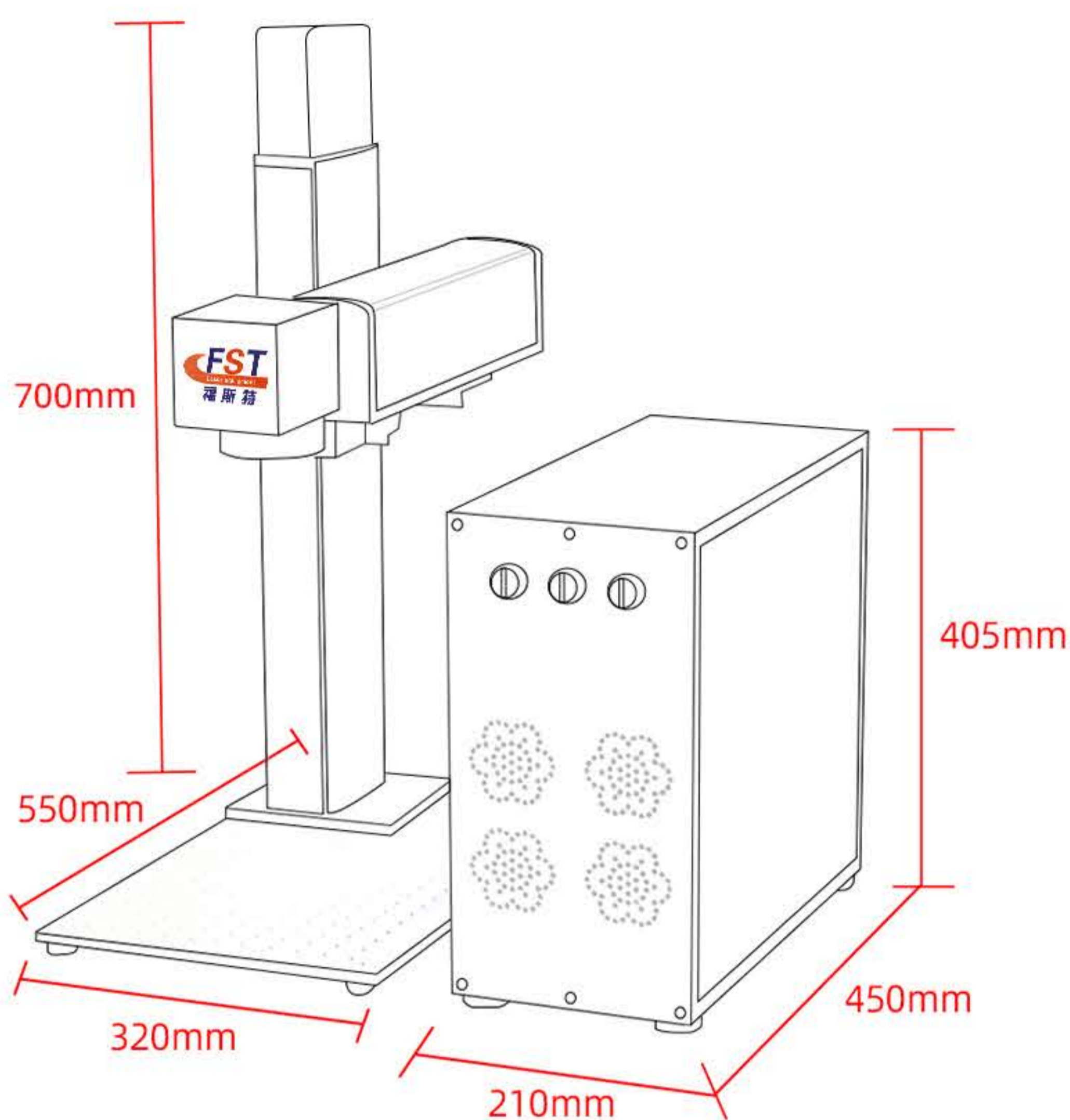
SIMPLE

CONVENIENT

DETAIL
ACHIEVEMENT
QUALITY



**SPLIT FIBER
LASER MARKING MACHINE**



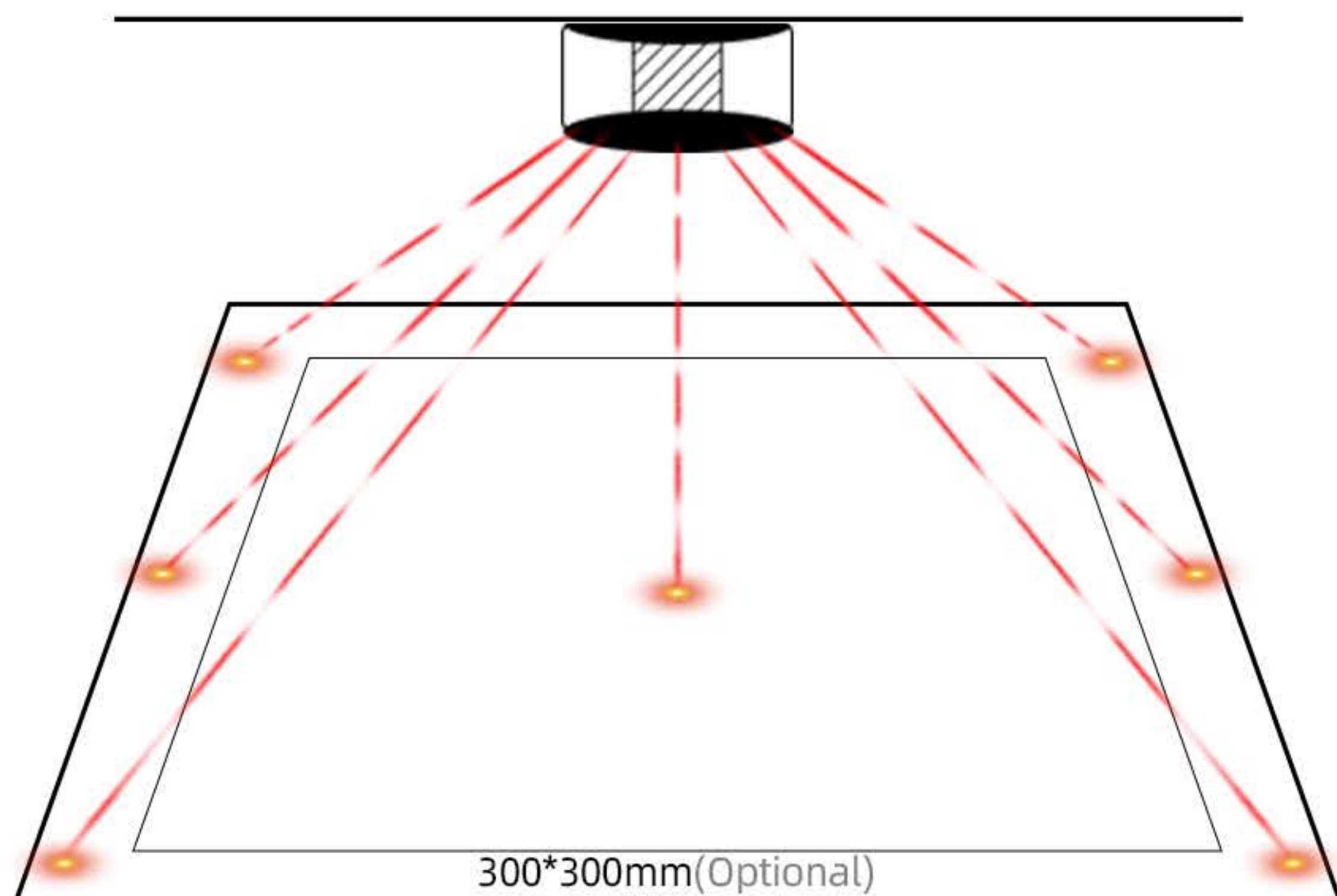
»» FIELD LENS

We use famous brand to provides precision laser. Standard 110 x 110mm marking area. Optional 150x150mm , 200 x200mm,300x300mm etc.

»» GALVO HEAD

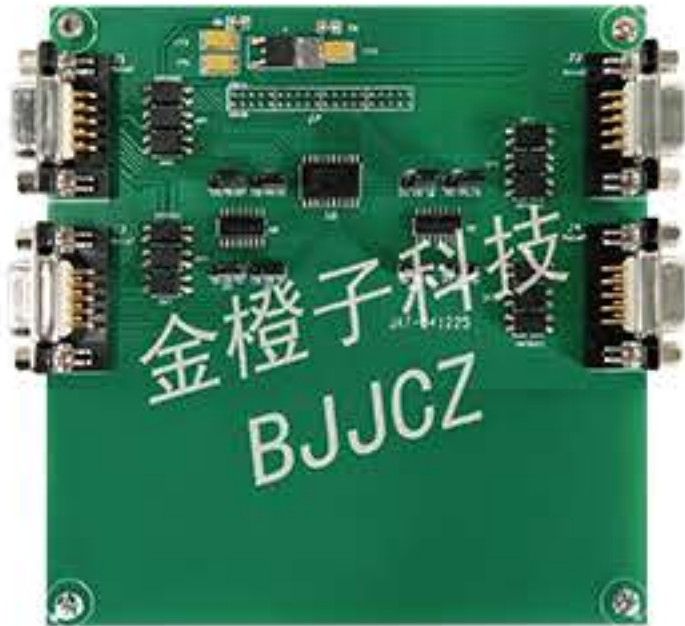
Famous brand Sino-galvo, high speed galvanometer scan adopting SCANLAB technology, digital signal, high precision and Speed.

»» NEW! OPTIONAL LED LIGHTS



»» LASER SOURCE

We use Chinese famous brand JPT laser source.
Optional: IPG / Raycus / Max laser source.

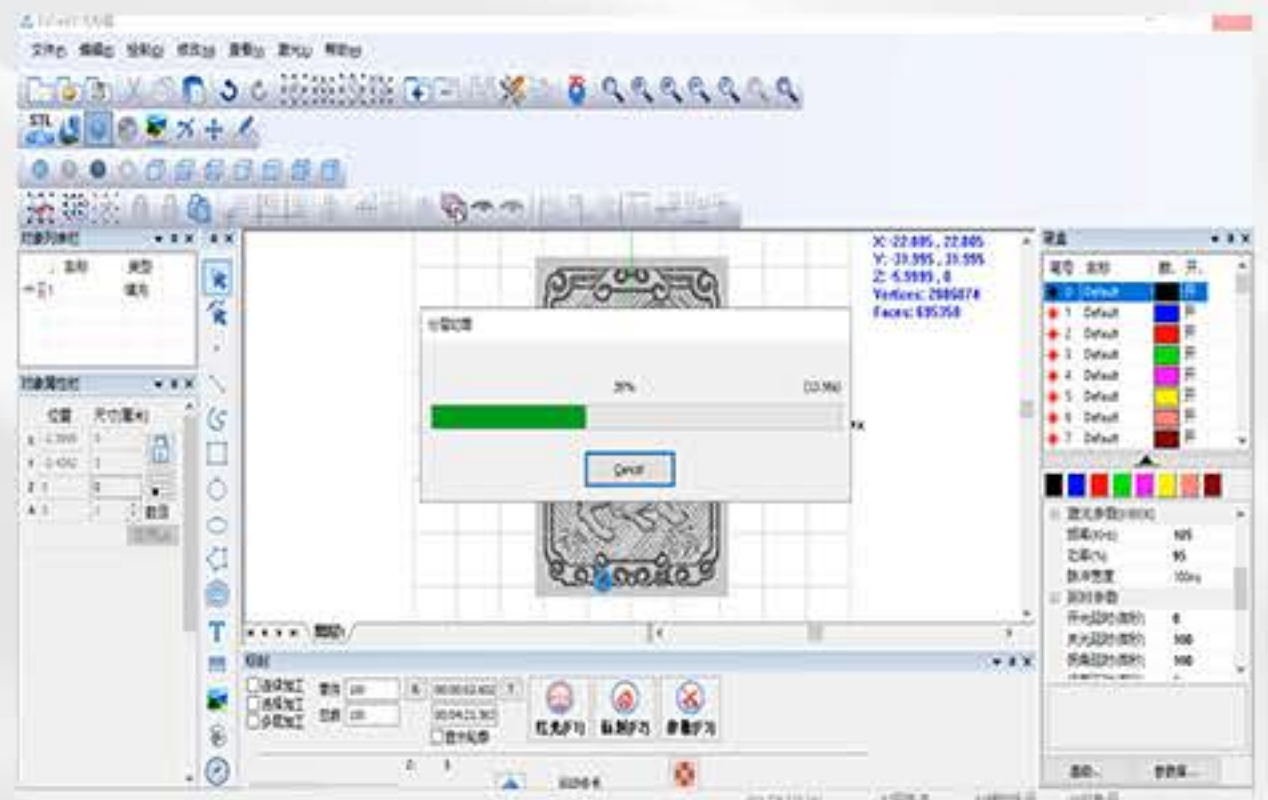


»» JCZ CONTROL BOARD

Ezcad genuine products, user-friendly interface, functional diversity, high stability, high precision.
Each board has its own number to ensure that it can be inquired in the original factory. Refuse to fake.

»» THE CONTROL SOFTWARE

1. Powerful editing function.
2. Friendly interface.
3. Easy to use.
4. Support Microsoft Windows XP, VISTA, Win7, Win10 system.
5. Support ai, dxf, dst, plt, bmp, jpg, gif, tga, png, tif and other file formats.
6. 3D model file: STL



»» DOUBLE RED LIGHT POINTER

When two red light coincides best focus.
Double red light pointer help customers make focus quickly and easily.

»» RED LIGHT PREVIEW

Adopt Red light preview to show the laser path since laser beam is invisible.





» MARKING RULER AND ELECTRIC LIFT

Enables customers to precisely position for fast engraving.
Adapting To Different Products Height



AIR COOLING SYSTEM
Three built-in Exhaust Fan

Power supply for galvo head and control board

USB computer interface

Rotary device interface

Foot pedal interface

Power interface

Ground wire

Main board switch

Vibrating mirror switch

Laser switch



» WORKING PLATFORM

Alumina working platform and imported precise beeline device. Flexibility mesa have multiple screw holes, convenient and custom installation, special fixture industry platform.



»» FOOT SWITCH

It can control the laser on and off.
make the operate more convenient.



»» GOGGLES (OPTIONAL)

Can protect eyes from laser
wave 1064nm, let the operate
more safe.

»» ROTATION AXIS AND PLATFORMS (OPTIONAL)



ROTARY CHUCK



2D / 3D TABLE AND EXTENDED PLATFORM

Foster Laser

• DELIVER GOODS. •



Machine cleaning and
Protective oil processing



Wrapping with
protective film



Wooden box sealing



Container Sealing
and Transportation



container loading



Forklift moving goods

COMMENTS

Supplier Service: **Acceptable** (3 stars) 03 Aug 2020
 On-time Shipment: **Very satisfied** (5 stars)



china cheap laser engraving machine 4060 laser engr...

★★★★★

Fosterlaser is the best supplier on Alibaba I have met

👍 0

Supplier Service: **Very satisfied** (5 stars) 25 May 2020
 On-time Shipment: **Very satisfied** (5 stars)



20W fiber laser marking machine

★★★★★

Honest and good seller. Sent everything on time (even considering the global epidemic at the time of my order). The machine came well packed. Nothing is damaged, everything works, the kit is complete, exactly what we agreed on. So all is well, I am completely satisfied. Thanks!

👍 0

Supplier Service: **Very satisfied** (5 stars) 03 Aug 2020
 On-time Shipment: **Very satisfied** (5 stars)



3kw cnc fiber laser cutting machine for 12mm Iron al...

★★★★★

The machine is perfect and the service is professional, I am very satisfied

👍 0



Supplier Service: **Very satisfied** (5 stars) 12 Jun 2020
 On-time Shipment: **Very satisfied** (5 stars)



50w fiber laser marking machine 50w raycus with rot...

★★★★★

great service and trustworthy! will definitely buy again!!

👍 0

Supplier Service: **Very satisfied** (5 stars) 17 May 2020
 On-time Shipment: **Very satisfied** (5 stars)



30W RF LASER MARKING MACHINE

★★★★★

Fast delivery, I recommend. I look forward to another purchase

👍 0



Foster Laser

ACCESSORY



Tool protection



Focal length ruler



Data Line



Power Cord, Ground wire



U disk



Tool protection



Foot Switch



Positioning strip (optional)

Our certificate

Foster Laser Technology Co., Ltd.



Foster Laser

· VIDEO SUPPORT ·



Company and Factory

Liaocheng Foster Laser Science&Technology Co.,Ltd is a professional manufacturer of laser engraving machine,laser cutting machine,laser marking machine for 12years .Since 2004, Foster Laser focused on the development and production of various types of laser engraving/cutting/marking machine with the advanced management,strong research strength and steady globalization strategy, Foster Laser establish more perfect product sales and service system in China and around the world, make the world's brand in laser industry.

Our target is "scientific management, high quality, high reputation and takes continuous development as our policy, regards customers as our center, double win with our customers", and we adhere to our tenet of "take the market demand as the guide, continue to take innovation and make improvement". We will try our best to provide the high quality products and perfect service for clients.

Furthermore,we pay much attention to after-sales service. Good service and good quality is same important for Foster Laser will follow the spirit "Credibility and Integrity", try best to provide customer more super product and better service.

Foster Laser--reliable professional Laser equipment supplier!

Welcome to cooperate with us and achieve win-win!



Office and Team



Our Exhibition





F A Q



Q1: I know nothing about this machine, what kind of machine should I choose?

You don't have to be a laser Expert, let us be the professional one who guide you to choose the right solution.

The only thing you need to do is to tell us what you want to do, Our professional sales will give you proper recommendations based just on what you need.

Q2: When I got this machine, but I don't know how to use it. What should I do?

Well. First of all, our machine is designed for easy use. You will know how to use it when you have it as long as you can use a computer. Besides, we will also provide English users manual and installation and operating video.

If you still have questions, you are welcomed to contact with us anytime for a online free guiding. Our Professional after-sales engineers are always ready to help.

Q3: If some problems happen to this machine during warranty period, what should I do?







We will supply free parts if your machine is still on warranty. While we also supply free life long after-sales services too. So any questions, please don't hesitate to let us know, we are always ready to help.

Your satisfaction is always our greatest pursuit.

Q4: You are warmly welcomed to send us inquiry, in order to recommend the most proper laser solution for you, we are expect to know the following 3 items:

- 1) Which material you are expect for laser to mark/code?
- 2) What's the specific character that you are going to mark/code?
- 3) Do you have any speed requirements? Or what's your current production line feeding speed, so we could check if we could match it.

Our services

-  1. **warranty for 2 years.**
-  2. **Maintenance for whole life.**
-  3. **We will provide the consumable parts at an agency price.**
-  4. **24 hours online service, free technical support.**
-  5. **Machine has been adjusted before delivery, operation disk is included in the delivery. If there is any other questions, pls kindly tell me.**
-  6. **We have manual instruction and U drive (Guiding Videos) for software Installation, operation and machine's using and maintenance.**