

MOPA COLOR LASER MARKING MACHINE



WHAT CAN THE MOPA COLOR LASER MARKING MACHINE DO ???

FOSTER
LASER

- 1.MOPA can mark different color on stainless steel and titanium.

- 2.MOPA Lasers are a better choice for the thin aluminum oxide plate surface stripping anode processing.

- 3.MOPA lasers are used to mark the black trademark, model, and text on the surface of the anodized aluminum material.

- 4.MOPA laser can adjust the pulse width and frequency parameters flexibly, which can not only make the line drawn fine, but also the edges appear smooth and not rough, especially for some plastic marking.



> No Consumables, Long lifespan Maintenance Free

The Fiber laser source has super long lifespan of over 100,000 hours without any maintenance. No need to spare any extra consumer parts at all. Suppose you will work for 8 hours per day, 5 days a week, A fiber laser could work properly for you for more than 8-10 years without extra costs except electricity.



> Multi-functional

It could Mark/Code/Engrave un-removable serials Numbers, batch Numbers, Expiry info, Best Before date, logo & any Characters that you want. It could also mark QR code.



> Simple Operation, Easy to use

Our patent software supports almost all common formats, The operator does not have to understand programming, just simply set a few parameters and click start.



> High Speed Laser Marking

The laser marking speed is very fast, 3-5 times than the traditional marking machine.

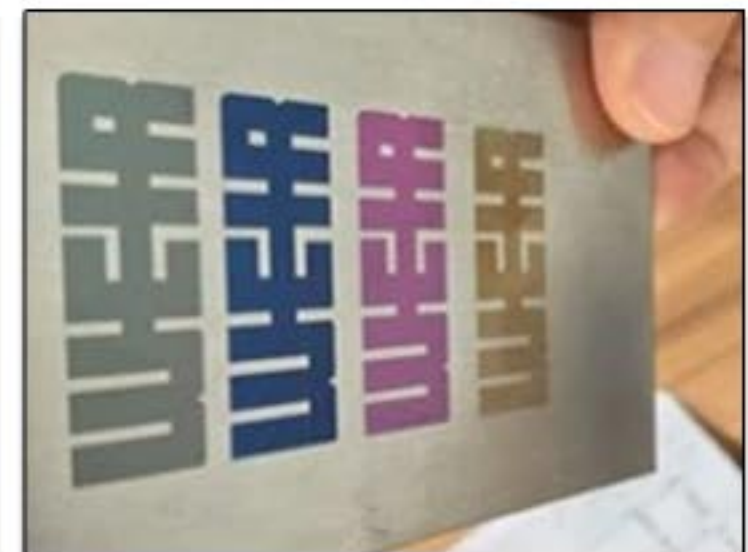
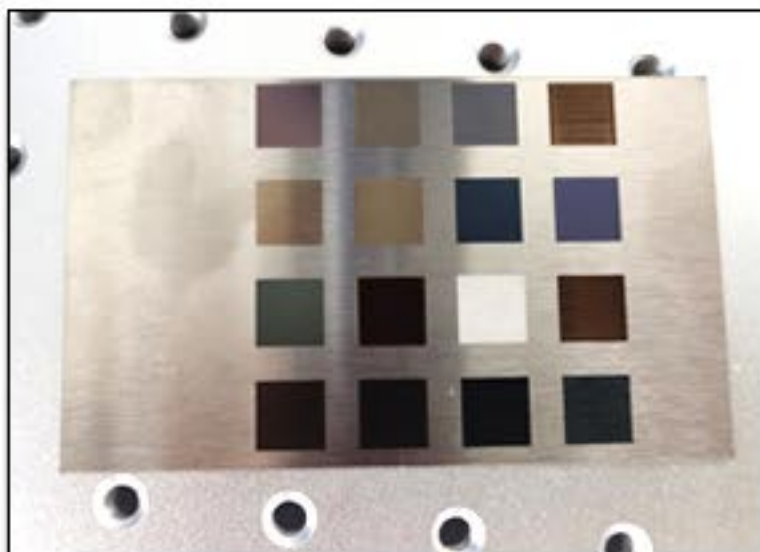


> Optional rotary axis for different cylindrical

Optional rotary axis can be used to mark on different cylindrical, spherical objects. The stepper motor is used for digital control, and the speed can be automatically controlled by computer, which is more convenient, simple, safe and stable.

Product Name	MOPA laser engraving color metal
Laser Power	20W / 30W / 50W / 70W
Laser Source Brand	JPT (Raycus / IPG / Max optional)
Marking Area	110*110mm / 200*200mm / 300*300mm or more
wavelength	1064nm
pulse width	can adjust
Control System	EZCAD software from JCZ
Controlling software	EZCAD
Supported graphic formats	AI, BMP, DST, DWG, DXF, DXP, LAS, PLT
Marking Speed	7000mm/s
Cooling Mode	Air cooling--Built-in
Operation Environment	5°C~35°C
Power Supply	220V / 50HZ or 110V / 60HZ (+-10%)
Operation System	Win XP / 7 / 8 / 10 (32 bit , 64 bit)
G.W.	70KGS
Package (L*W*H)	46cm*83cm*87cm
Warranty	2 year
Optional parts	Rotary Device, Lift platform, other customized Automation
Package	Plywood

- **Electronics** : Iphone, IPAD, Ipod, Keyboard and more standard parts.
- **Jewelry & Accessories** : Rings, Pendant, Bracelet, Necklace, Sunglasses, Watches etc.
- **Electronic Components**: Phone, IPAD, Resistors, Capacitors, Chips, Printed Circuit Boards, etc.
- **Mechanical Parts**: Bearings, Gears, Standard Parts, Motor, etc.
- **Instrument**: Panel Board, Nameplates, Precision equipment, etc.
- **Hardware Tools**: Knives, Tools, Measuring Tools, Cutting Tools, etc.
- **Automobile Parts**: Pistons & Rings, Gears, Shafts, Bearings, Clutch, Lights, etc.
- **Handicrafts**: Zipper, Key Holder, Souvenir, etc.





Laser source



Lifting handle



FIELD LENS
GALVO HEAD



Ruler



Working platform

SIMPLE

CONVENIENT

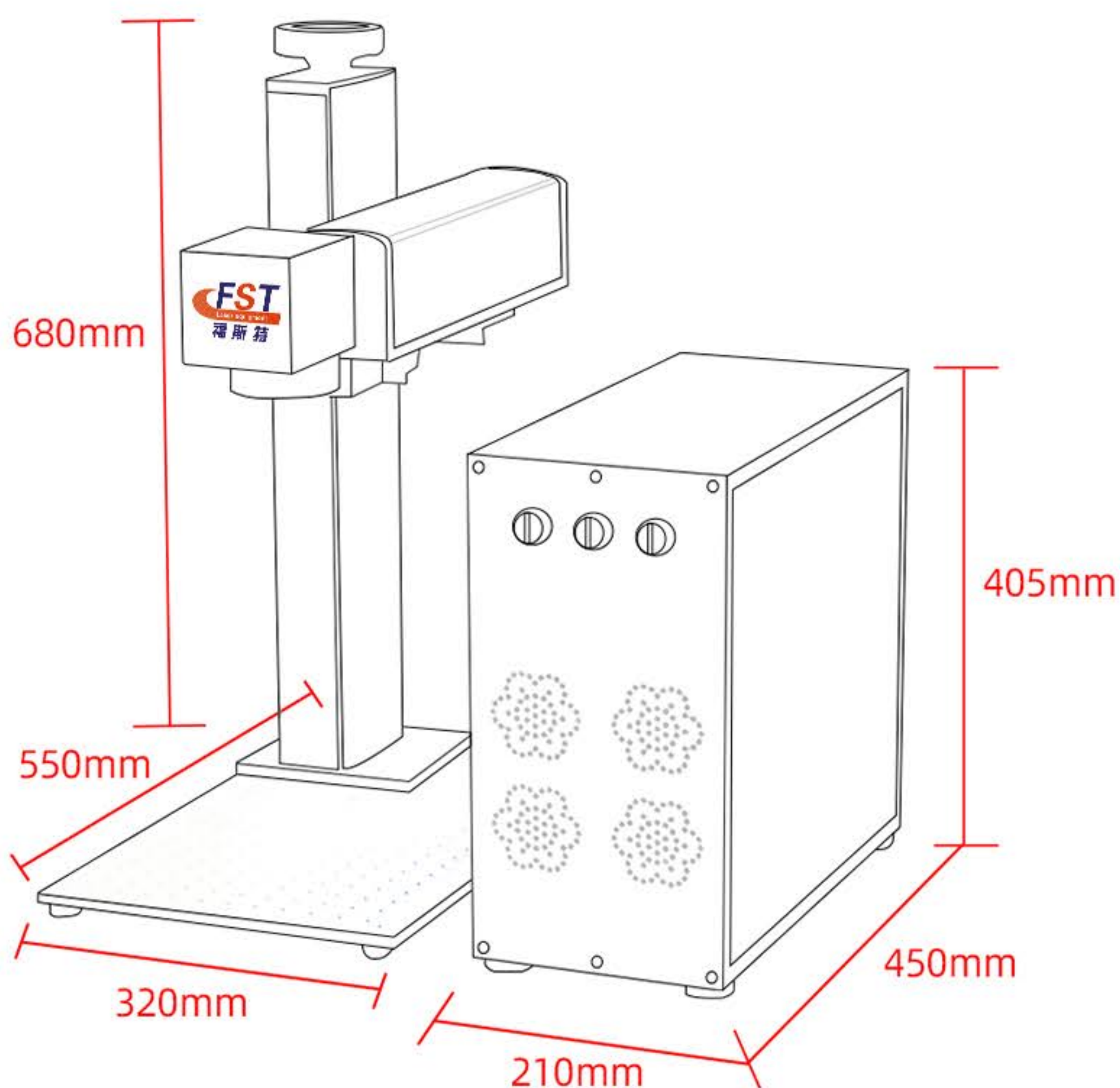
DETAIL

ACHIEVEMENT

QUALITY



**MOPA COLOR
LASER MARKING MACHINE**

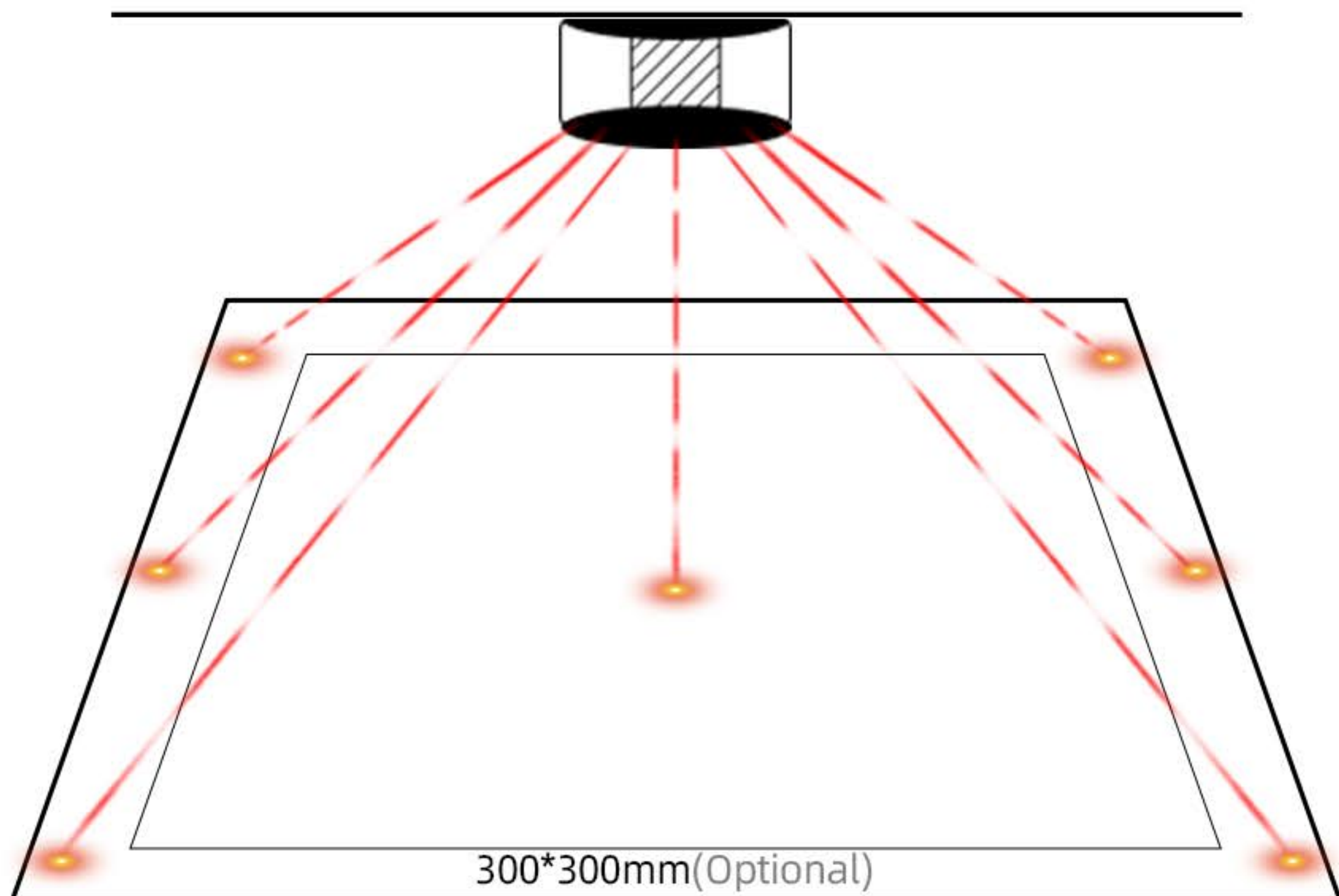


»» FIELD LENS

We use famous brand to provides precision laser. Standard 110 x 110mm marking area. Optional 150x150mm , 200 x200mm,300x300mm etc.

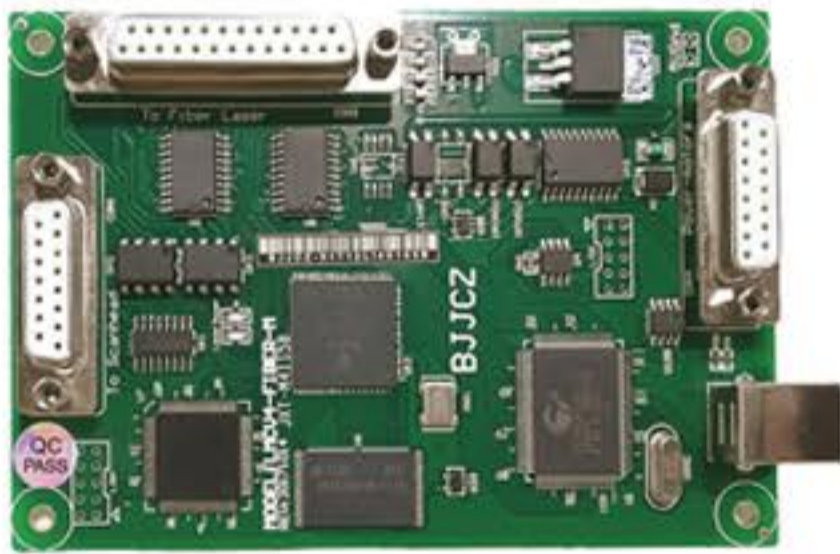
»» GALVO HEAD

Famous brand Sino-galvo, high speed galvanometer scan adopting SCANLAB technology, digital signal, high precision and Speed.



»» LASER SOURCE

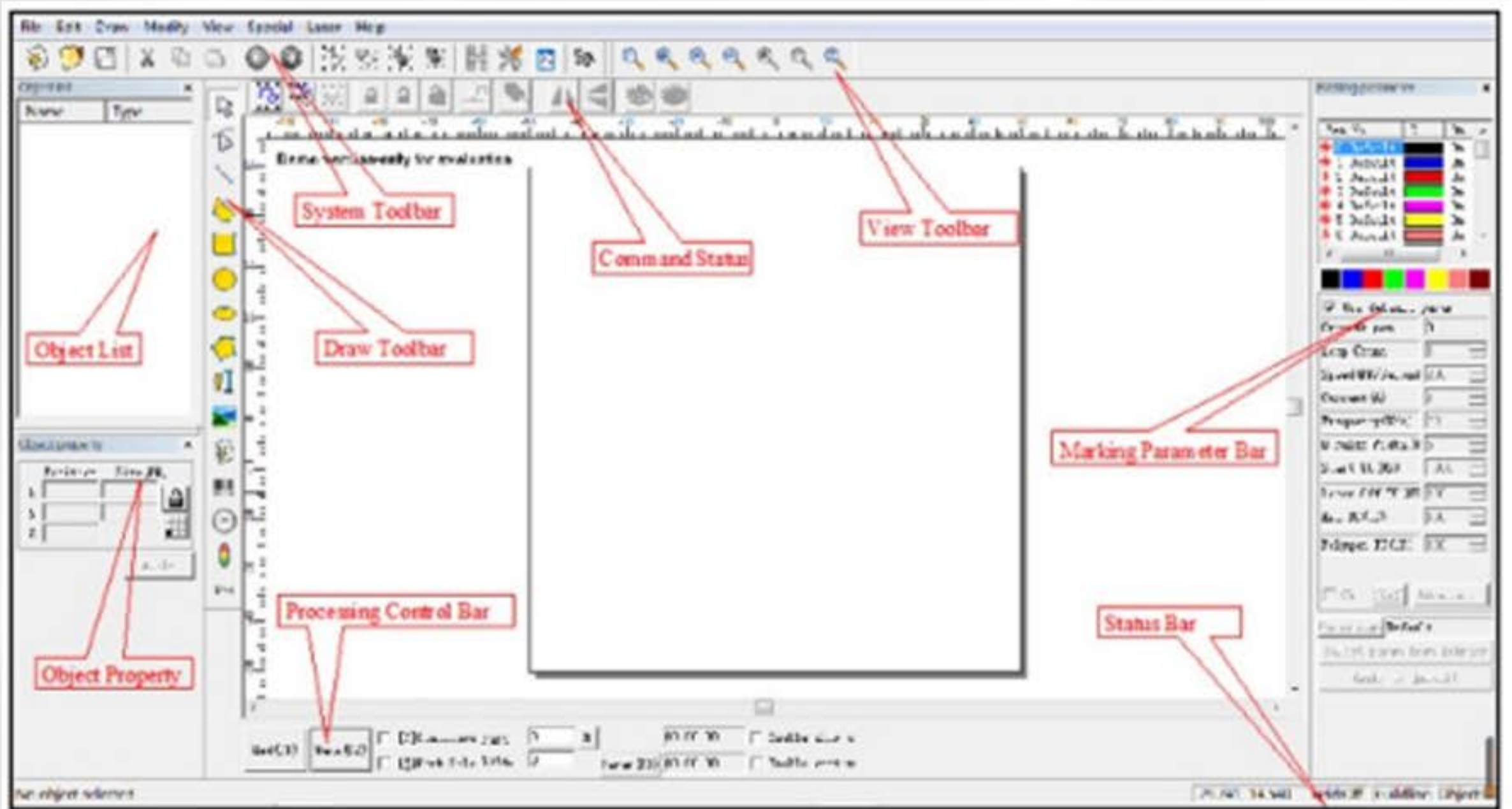
We use Chinese famous brand Max laser source. Optional: IPG / JPT / Raycus laser source.



»» JCZ CONTROL BOARD

Ezcad genuine products, user-friendly interface, functional diversity, high stability, high precision. Each board has its own number to ensure that it can be inquired in the original factory. Refuse to fake.

»» THE CONTROL SOFTWARE



1. Powerful editing function.
2. Friendly interface.
3. Easy to use.
4. Support Microsoft Windows XP, VISTA, Win7, Win10 system.
5. Support ai, dxf, dst, plt, bmp, jpg, gif, tga, png, tif and other file formats.
6. Support for TrueType fonts, single line fonts (JSF), SHX fonts, dot matrix fonts (DMF), 1D bar codes and 2D bar codes. Flexible variable text processing, changing text in real time during processing, can directly read and write text files, SQL databases and Excel file.

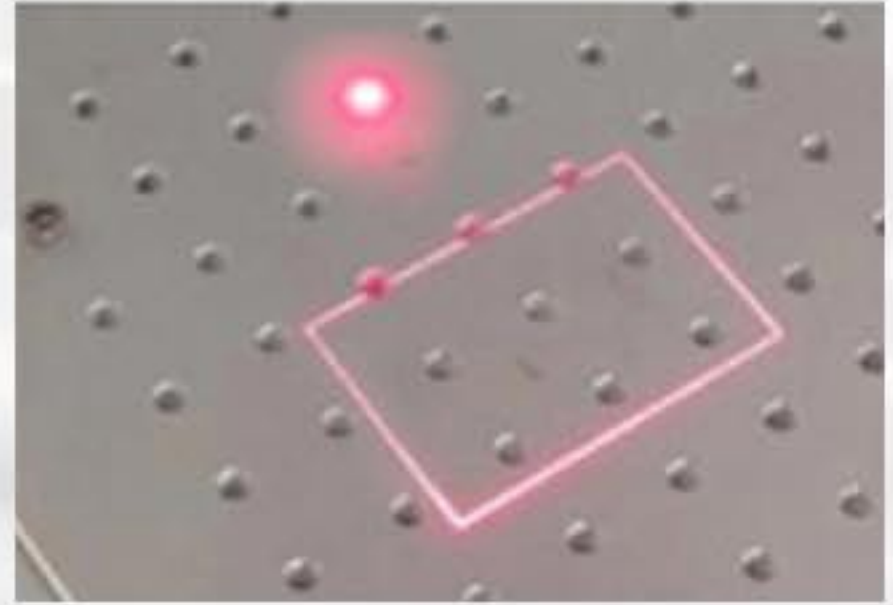


»» DOUBLE RED LIGHT POINTER (OPTIONAL)

When two red light coincides best focus. Double red light pointer help customers make focus quickly and easily.

»» RED LIGHT PREVIEW

Adopt Red light preview to show the laser path since laser beam is invisible.

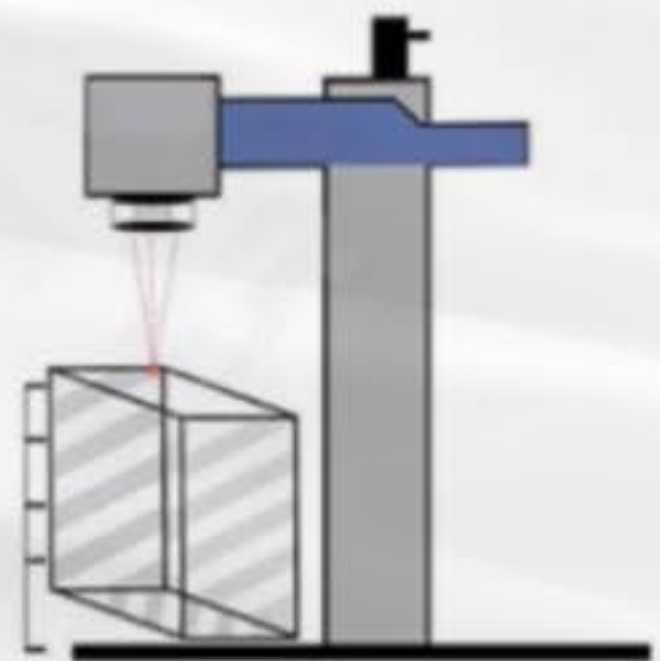


»» MARKING RULER AND ROTATING HANDLE

Enables customers to precisely position for fast engraving. Adapting To Different Products Height

»» ADAPTING TO DIFFERENT PRODUCTS HEIGHT

The red light guiding focusing function is optional, the marking height can be adjusted in the range of 0-150mm. and the lifting can be adjusted according to the thickness of different products with the high precision lifting screw making the operation convenient and accurate.



»» POWER SUPPLY

Power supply for galvo head and control board



AIR COOLING SYSTEM
Three built-in Exhaust Fan

Power supply for galvo head and control board

USB computer interface

Rotary device interface

Foot pedal interface

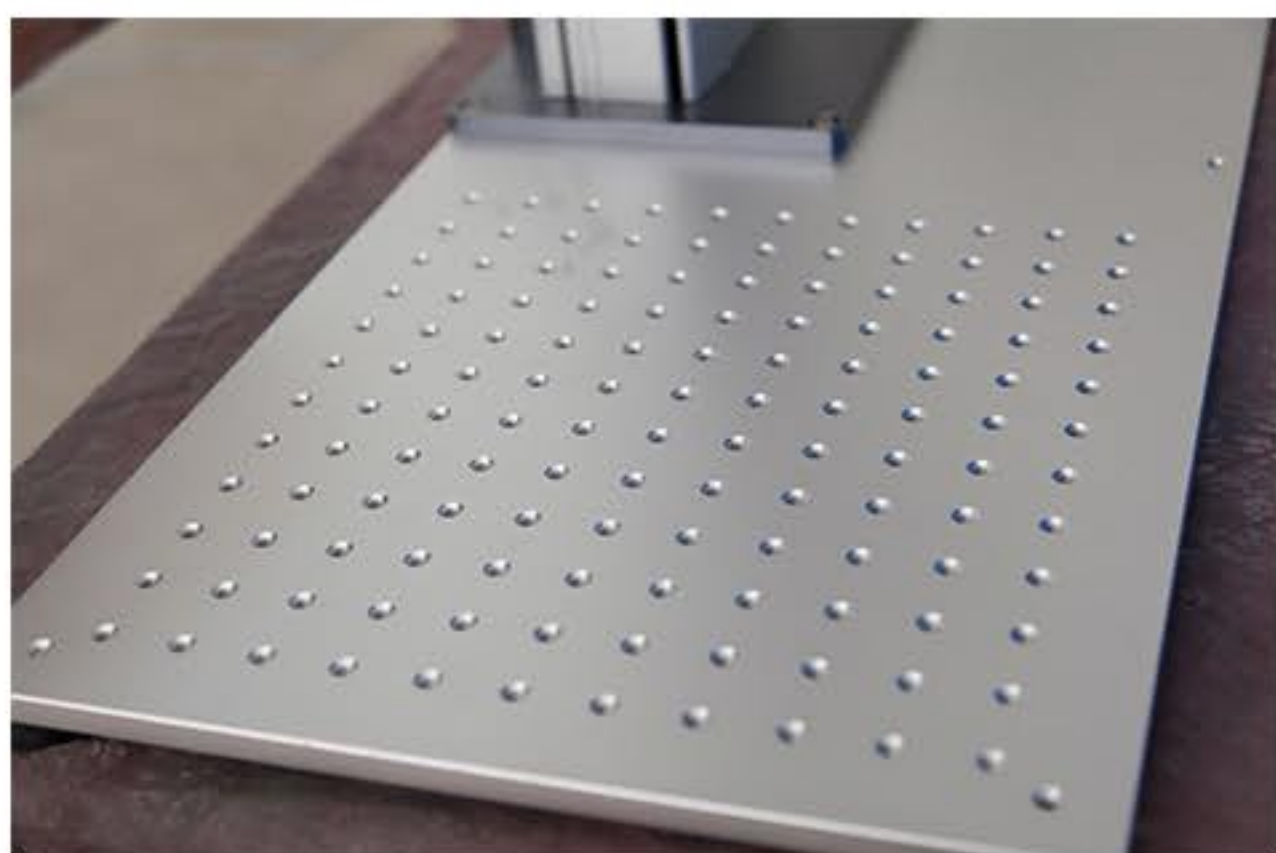
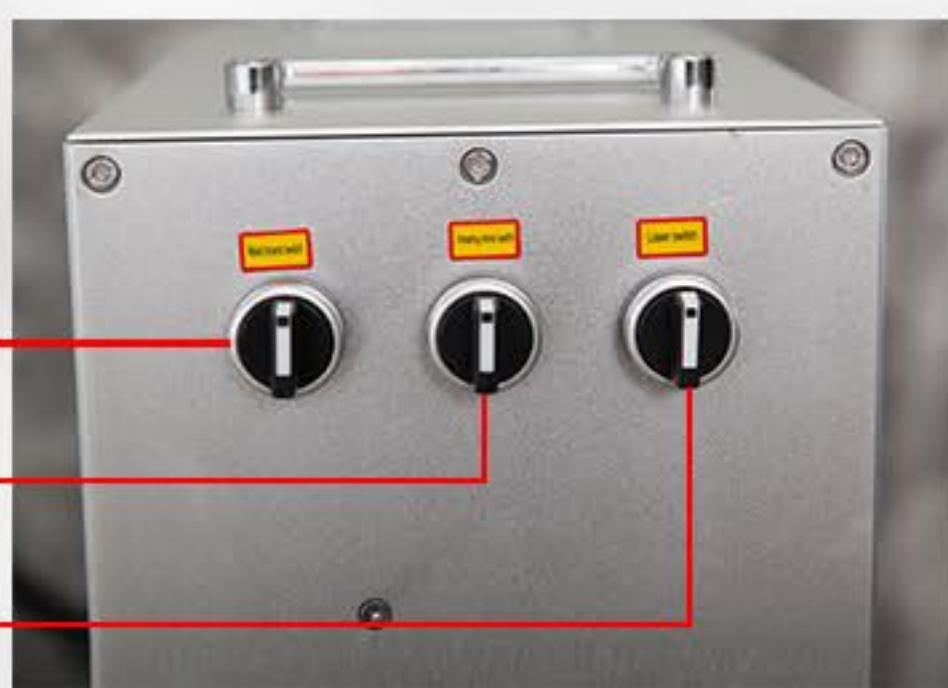
Power interface

Ground wire

Main board switch

Vibrating mirror switch

Laser switch



»» WORKING PLATFORM

Alumina working platform and imported precise beeline device. Flexibility mesa have multiple screw holes, convenient and custom installation, special fixture industry platform.

»» FOOT SWITCH

It can control the laser on and off. make the operate more convenient.



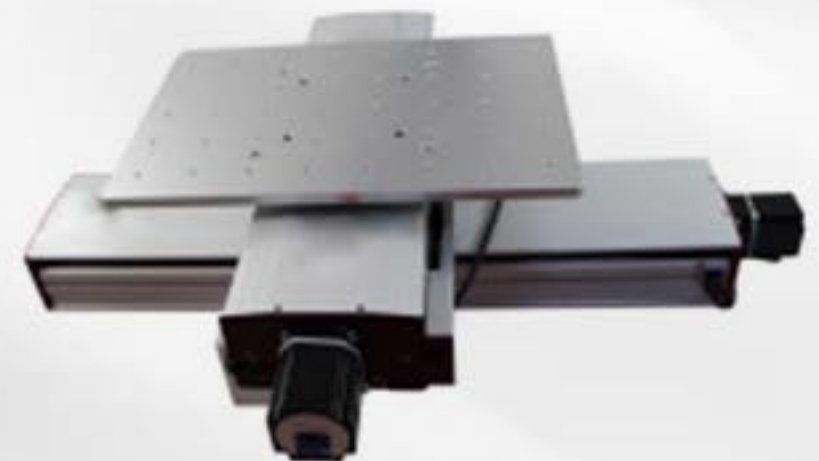
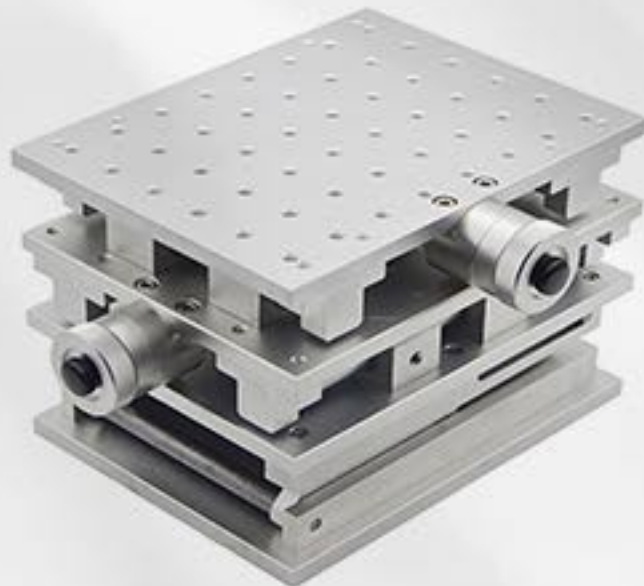
»» GOGGLES (OPTIONAL)

Can protect eyes from laser wave 1064nm, let the operate more safe.

» ROTATION AXIS AND PLATFORMS (OPTIONAL)



ROTARY CHUCK



2D / 3D TABLE AND EXTENDED PLATFORM

1. All metals:

gold, silver, titanium, copper, alloy, aluminum, steel, manganese steel, magnesium, zinc, stainless steel, carbon steel / mild steel, all kinds of alloy steel, electrolytic plate, brass plate, galvanized sheet, Aluminum, all kinds of alloy plates, all kinds of sheet metal, rare metals, coated metal, anodized aluminum and other special surface treatment, electroplating the surface of the aluminum-magnesium alloy surface oxygen decomposition.

2. Non-metallic:

non-metallic coating materials, industrial plastics, hard plastics, rubber, ceramics, resins, cartons, leather, clothes, wood, paper, plexiglass, epoxy resin, acrylic resin, unsaturated polyester resin material.



Q1: I know nothing about this machine, what type of machine should I choose?

A: To help you find the right machine, please provide the following information for reference.

- 1.Which material you want to mark (Metal, silver, gold or others)?
- 2.What's your maximum marking area? (110*110mm, 175*175mm, 300*300mm...)
- 3.What kind of content you need to mark on(Number, letter, graph, QR code ...?)
- 4.Do you have demand in marking depth?

Q2: When I got this machine, but I don't know how to use it. What should I do?

A: Pls take it easy, the technology of this kind machines are already very mature, most of problems can be solved online, and the equipment is very stable, there is no need to worry about after-sales and quality problems.we will send operation video and manual for the machine. Our engineer will do training online.

And we will send a USB together with the machine, which has included the full size operation software that you just need to connect the USB with you computer, then we have a video to teach you for how to install the program.

You can send your engraving details and demands to us, we will make test in the factory with your machine, and take some videos, save the details technical parameters that you can use it directly in the future.

Q3: Which control system is compatible this machines?

A: We used JZC Brand EZCAD control card and software. The wavelength is singapore import "Wavelength" Brand -Fiber lens, which ensures high energy conversion rate .

The machine can work with Windows XP /Win7(32/64bits) /Win8(32/64bits)/Win10. The EZCAD software with strong compatibility that can support TTF Font, SHX, BMP, DWG ,DXF, AI, PLT and other format files output from CorelDraw, PS, AutoCAD, etc.

Q4:Could I make an free sample ?

A: Sure, pls send the vectorgraph marking file and samples to us.Or we can find same materials to test it. After sample finished, we can return it and also make videos,details photos for your reference.

Q5: If some problems happen to this machine, what should I do?

A: We provide 3 years machine warranty. During the 3-year warranty, in case any problem for the machine, we will provide the parts free of charge (except for artificial damage). After the warranty, we still provide whole lifetime service. So any doubts, just let us know, we will give you solutions.

Q6: What's consumables of laser marking machine?

A: It does not have consumable. It's very economical and cost effective.

Q7: What's package, will it protect the products?

A: We have 3 layers package. For the outside, we adopt wooden cases free of fumigation. In the middle, the machine is covered by foam, to protect the machine from shaking. For the inside layer, the machine is covered by waterproof plastic film.

Q8: What's delivery time?How is the shipping method?

A: 1.Standard model 3 - 7 working days after receiving the payment.

Shipping by DHL Fedex TNT, delivery to airport or by sea.

Q9: How about the documents after shipment?

After shipment, we'll send all original documents to you by DHL, TNT etc., including Packing List, Commercial Invoice, B/L, and other certificates as required by clients.

Q8: What payment terms can you accept?

A: Any payment is possible for us , like TT, LC, Western Union, Paypal, E-Checking, Visa,Master Card, Cash etc. We can receipt currency as GBP,USD,EUR,AUD and RMB.

Sincerely hope our machine can help you in the near future!

DELIVER GOODS MOPA

FOSTER
LASER



Machine cleaning and
Protective oil processing



Wrapping with
protective film



Wooden box sealing



Container Sealing
and Transportation



container loading



Forklift moving goods

Supplier Service: **Acceptable** (3 stars) 03 Aug 2020
On-time Shipment: **Very satisfied** (5 stars)



china cheap laser engraving machine 4060 laser engr...



Fosterlaser is the best supplier on Alibaba I have met



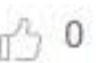
Supplier Service: **Very satisfied** (5 stars) 25 May 2020
On-time Shipment: **Very satisfied** (5 stars)



20W fiber laser marking machine



Honest and good seller. Sent everything on time (even considering the global epidemic at the time of my order). The machine came well packed. Nothing is damaged, everything works, the kit is complete, exactly what we agreed on. So all is well, I am completely satisfied. Thanks!



Supplier Service: **Very satisfied** (5 stars) 03 Aug 2020
On-time Shipment: **Very satisfied** (5 stars)



3kw cnc fiber laser cutting machine for 12mm Iron al...



The machine is perfect and the service is professional, I am very satisfied



Supplier Service: **Very satisfied** (5 stars) 12 Jun 2020
On-time Shipment: **Very satisfied** (5 stars)



50w fiber laser marking machine 50w raycus with rot...



great service and trustworthy! will definitely buy again!!



Supplier Service: **Very satisfied** (5 stars) 17 May 2020
On-time Shipment: **Very satisfied** (5 stars)



30W RF LASER MARKING MACHINE



Fast delivery, I recommend. I look forward to another purchase



COMMENTS MOPA

FOSTER
LASER



Tool protection



Focal length ruler



Data Line



Power Cord, Ground wire



U disk



Wrench



Foot Switch



Positioning strip (optional)