

FOSTER LASER

HANDHELD FIBER LASER CLEANING MACHINE





Hand-held portable



Non-contact



High degree of
cleanliness



Super long life



Does not hurt the
substrate



Efficient and simple



Maximum width
200mm



1000-2000w optional

Metal trust and paint remove, etc



福 斯 特 激 光

福斯特激光

FST 福斯特
Laser equipment

LASER CLEANING



TRADITIONAL CLEANING



Pollution-free. No contact and grinding, The substrate is basically undamaged.



The derusting process will produce a large amount of dust and pollute the environment.

PARAMETER

Model	Fiber Laser Cleaning Machine
Lasersource	Raycus / Max / IPG
Laserwavelength	1070 ± 20nm
Laserpower	1000W / 1500W / 2000W
Operating mode	Continuous/pulse
Length of fiber-optical	10m(standard)
Interface of fiber-optical	QBH
Module life	100000hrs
Power supply	220V / 380V
Cooling method	Water Cooling
Laser Energy Stability	<2%
Air humidity	10-90%
Cleaning range	0-200mm
Red light positioning	Support
Intelligent protection	Support
Focal length	400-600mm
Scanning speed	20000mm/s
Effective luminous aperture	25mm

DETAIL DISPLAY



FLEXIBLE OPERATION
SIMPLE OPERATION



01

CLEANING LASER HEAD

FWH20-C11A: The maximum cleaning width can reach 200mm.



02

OPERATION PANEL

RelFar Control board and operation panel.



03

LASER SOURCE

Internationally renowned laser source (Max/ Raycus/JPT/IPG), stable laser power, long life, good welding effect, beautiful welding seam.



04

WATER CHILLER

When the machine is working,
cool the laser source with
water.

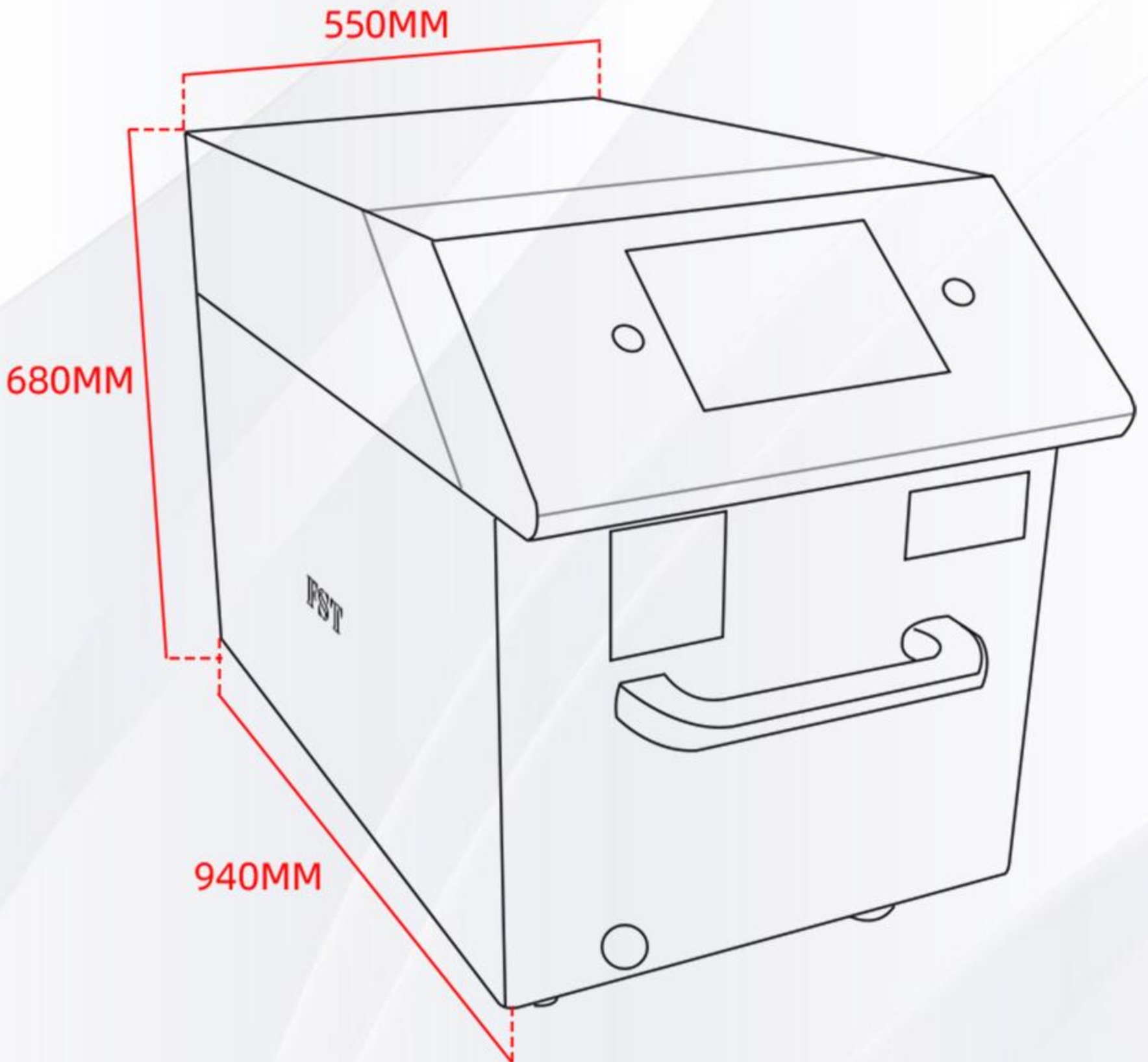


1000 / 1500W



1000 / 1500 / 2000W

SIZE



Laser cleaning



Laser peeling paint



Pass to remove discoloration layer



Oxide layer cleaning



Our certificate

Foster Laser Technology Co., Ltd.



Company and Factory

Liaocheng Foster Laser Science&Technology Co.,Ltd is a professional manufacturer of laser engraving machine,laser cutting machine,laser marking machine for 18 years .Since 2004, Foster Laser focused on the development and production of various types of laser engraving/cutting/marking machine with the advanced management,strong research strength and steady globalization strategy, Foster Laser establish more perfect product sales and service system in China and around the world, make the world's brand in laser industry.

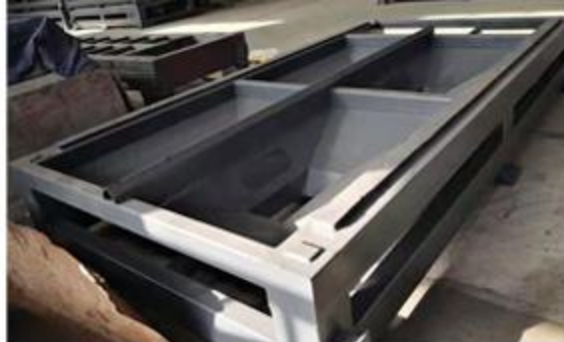
Our target is "scientific management, high quality, high reputation and takes continuous development as our policy, regards customers as our center, double win with our customers", and we adhere to our tenet of "take the market demand as the guide, continue to take innovation and make improvement". We will try our best to provide the high quality products and perfect service for clients.

Furthermore,we pay much attention to after-sales service. Good service and good quality is same important for Foster Laser will follow the spirit "Credibility and Integrity", try best to provide customer more super product and better service.

Foster Laser--reliable professional Laser equipment supplier!

Welcome to cooperate with us and achieve win-win!





Our Exhibition



F A Q

1. How can I choose the most suitable machine ?

Please tell us what kind of work you would like the machine to do?
What kind of materials mainly?

2. How long can delivery the machine ?

Common machine can be delivered within 3~7 days. Custommade machine need 12~14 days.

3. If there is any technical help after we receive the machine?

Yes, we have perfect after-sale service team to supply technical support to our customers.
Our technical can assist you to install machine and give you free training after you receive machine.

4. If there is some problems for some parts during warranty period, will your company repair or replace for me?

Yes, we will. Please send the main part back to our company, we will repair and send back them to you for free within warranty time. If the problem part can not be repaired well, we will send new one to you within warranty time for free. PS: Not including the consumable parts and Man-made damage.

5. Will the machine will send to my door?

1) Usually for large size and heavy machine, we will quote CFR price. The best shipping way for the large and heavy goods is by sea or air. We ship the goods by sea for shipping free to your base seaport in your country (Need you find broker help you to do customs clearance).
2) For small size machine, we can quote price with DHL express cost. Then the machine can send to your door.

6. Can I buy spare parts from your company if I have spare parts in the future?

Yes, please. Our company supply spare parts for all of our machine.

7. Give me reasons to chose your company ?

1) Professional factory with competitive price;
2) High quality control and perfect service: All of our machine are adopted top quality parts → Test machine work well for 3 days before delivery → sent working video and all items photos base on the order list to buyer to check → buyer check everything is included and satisfied → Professional plywood package to avoid damage → shipping machine
3) Supply technical support all life time for our machine; We have professional after-sale service team to supply technical support to our clients for free. You can talk with them at any time if you need.
4) Strict implementation of after-sales warranty.
5) The important is that you will receive the Corresponding goods after you do payment.

8. How we pay you?

Please talk with us firstly. After we confirm the machine and optional part, spare parts for order with each other, we will give you the link to orde.

Our services

1. Purchase Service

Foster LASER have a specialized and efficiency working team. If you are new on the laser machine, we will give you specialized suggestion of whole work .

2. Shipping Service

Foster LASER have a specialized and independent department which just for arranging shipping for buyer's goods . The workers are knowing T/T, L/C Items well. all Exported documents could be made perfectly .

3. Installation Service

Installation Services are available with all Foster LASER Company machines. We will dispatch technician to The Buyer's factory to installation and preparation of machines.

4. Clients Training Service

Foster Laser advises the buyer could send own technician come to our factory to learn how to operate machines. Foster LASER Company technician will teach and train the learners hand by hand till he can operate machine by himself.

5. After Sales Service

Foster LASER machines guarantee time is two year, except consumables parts;